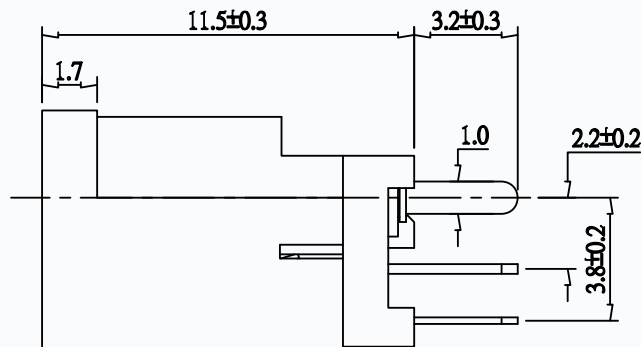
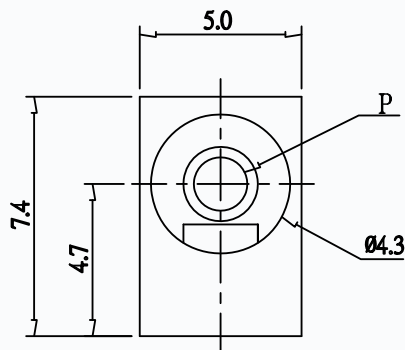


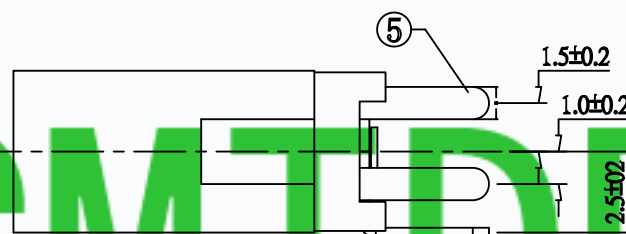
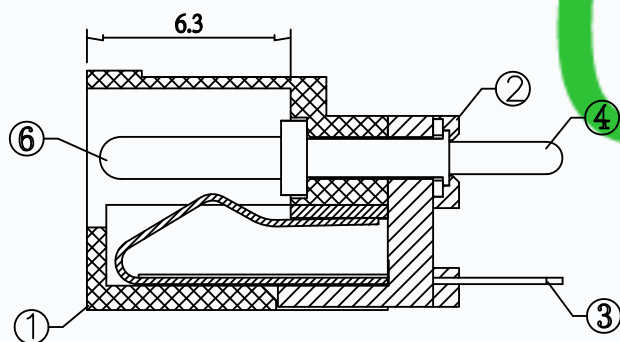


CAD FILE:

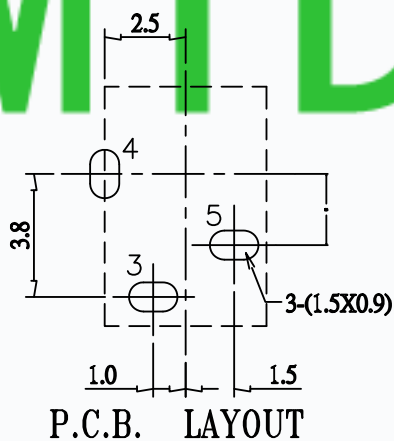


DC MATE PLUG

MODEL NO.	φA(mm)	P(mm)
T12-002F-A-P	4.3	φ1.0
	4.3	φ1.3
	4.3	φ1.65
SCHEMATIC		



CMTDDZ



P.C.B. LAYOUT

SPECIFICATIONS

Rating	3A 18V DC for φ1.0 5A 18V DC for φ1.65
Insertion and extraction force	3-20N
Withstand voltage	500V AC
Insulation resistance	≥100MΩ(DC250V)
Contact resistance	≤ 50 mΩ
Life test	5.000 cycles

NO.	PARTS	MATERIALS	Q'TY	FINISH	TOLERANCE UNLESS SPECIFIED	DESCRIPTIONS OF REVISION	APPD.
8					TOLERANCE UNLESS SPECIFIED WITHIN 1.5mm : ±0.1mm OVER 1.5mm : ±0.2mm	THESE DRAWINGS AND SPECIFICATIONS ARE THE PROPERTY OF DONGGUAN TIANDU ELECTRONICS CO.,LTD. AND SHALL NOT BE REPRODUCED, COPIED OR USED IN ANY MANNER WITHOUT THE PRIOR WRITTEN CONSENT OF DONGGUAN TIANDU ELECTRONICS CO., LTD	
7							
6	CENTER PIN	BRASS	1	CuSn/Ni-Plating			
5	CURVE PIECE	BRASS	1	Ag-PLATING			
4	FLAT PIECE	BRASS	1	Ag-PLATING			
3	SPRING	PHOSPHOR BRONZE	1	Ag-PLATING			
2	COVER	PBT/LCP	1	Ag-PLATING			
1	HOUSING	PBT/LCP	1	BLACK			
					TITLE : DC JACK	UNIT : mm	DRWG NO.: CMTDDZ-T12-002-00
					MODEL: T12-002F-A-P	SCALE: 3:1	DWN. ERIC 2013-6-17
					CMTDDZ 东莞市田都电子有限公司 DONGGUAN TIANDU ELECTRONICS CO.,LTD.	CHK'D MAIKO	2013-6-17
						APPD. Coco	2013-6-17