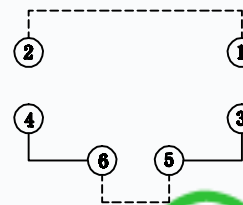
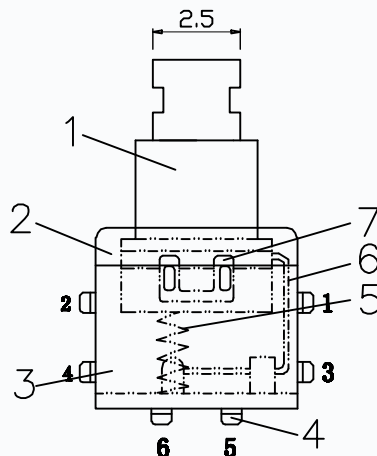
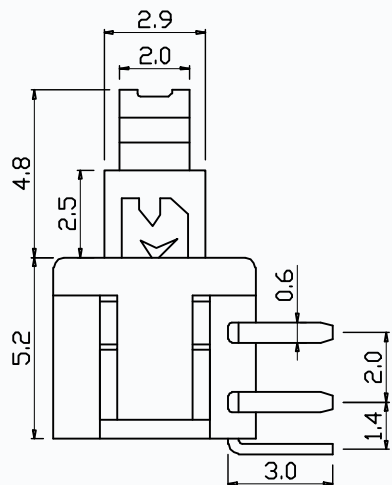
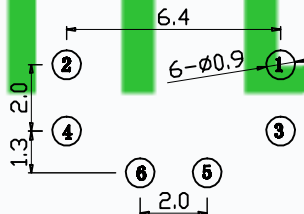
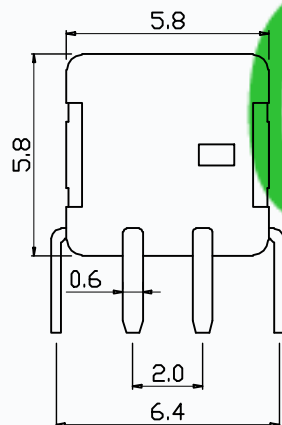


CAD FILE:



常态 FREE 1-2  
 按下 PUSH 2、6-3、5  
 电路图  
 circuit diagram



印制电路板  
 printed-circuit board

OPERATING MODEL:

SELF-LOCK:T5-58F036D-L  
 Non-LOCK:T5-58F036D-NL

SPECIFICATIONS

Rating	0.1A 30V DC
CIRCUIT	2P2T
Timing	NON-SHORTING
Travel	FULL:1.9mm
	LOCK:1.1mm
Operating Force	200gf ± 30gf
Operating Life	50.000 cycles

NO.	PARTS	MATERIALS	Q'TY	FINISH
8				
7	CAM STICK	SUS	1	NATURAL
6	SPRING	SUS	1	NATURAL
5	CONTACT CLIP	PHOSPHOR BRONZE	2	Ag PLATED
4	TERMINAL	BRASS	6	Ag PLATED
3	CASE	PA66	1	GREY
2	COVER	POM	1	BLACK
1	KNOB	POM	1	WHITE

TOLERANCE UNLESS SPECIFIED		THESE DRAWINGS AND SPECIFICATIONS ARE THE PROPERTY OF DONGGUAN TIANDU ELECTRONICS CO.,LTD. AND SHALL NOT BE REPRODUCED, COPIED OR USED IN ANY MANNER WITHOUT THE PRIOR WRITTEN CONSENT OF DONGGUAN TIANDU ELECTRONICS CO., LTD		DESCRIPTIONS OF REVISION		APPD.
WITHIN 1.5mm : ±0.1mm OVER 1.5mm : ±0.2mm				TITLE : VERTICAL SLIDE SWITCH		UNIT : mm
MODEL: SEE TABLE				SCALE: 3:1	DWN. ERIC	2013-6-17
CMTDDZ 东莞市田都电子有限公司 DONGGUAN TIANDU ELECTRONICS CO.,LTD.				CHK'D MAIKO	2013-6-17	
				APPD. Coco	2013-6-17	