

REV.	ECN NO.	DESCRIPTION	DATE	DESIGN
01	ECN NO.	INITIAL RELEASED	2018.06.22	SU
02	ECN NO.	NEW SPECIFICATIONS	2019.06.04	SU

NOTE:

1.MATERIAL SPECIFICATION:

- 1.HOUSING:LCP,UL94 V-0 BLACK.
- 2.CONTACTS: BRASS(C2680)
- 3.FRONT SHELL: STAINLESS STEEL(SUS304)

2.PLATING SPECIFICATION:

2-1.CONTACTS:

- Ni 50u" MIN. UNDER PLATED OVER ALL.
- Au PLATED ON THE FUNCTIONAL AREA OF CONTACT.
- (GOLD PLATING THICKNESS FOLLOW THE P/N)
- PLATING SPECIFICATIONS OF THE SOLDER AREA FOLLOW THE P/N

2-2.FRONT SHELL:

- Ni 30u" MIN. UNDER PLATED OVER ALL.

3.MECHANICAL PERFORMANCE,

- 3-1.INSERTION FORCE: 3.5kgf MAX
- 3-2.REMOVAL FORCE: 0.8kgf MIN
- 3-3.DURABILITY: 10000 CYCLES.

4. ELECTRICAL PERFORMANCE,

4-1.CURRENT RATING:

- VBUS & GND PINS: 1.8A MAX.
- OTHER PINS: 0.5A MAX.

4-2. LLCR:

- VBUS & GND PINS AND OTHER PINS: 30mΩ/PIN MAX.
- SHIELD: 50mΩ/MAX.

- LLCR MAX. CHANGE OF ALL PINS: 10mΩ.

4-3.INSULATION RESISTANCE: 100MΩ MIN

4-4.DIELECTRIC WITHSTAND VOLTAGE,AC 100V FOR 1 MINUTE.

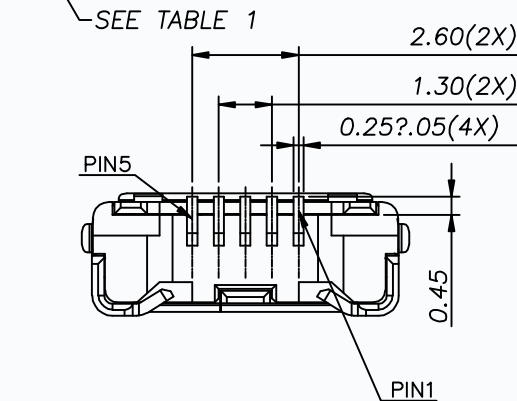
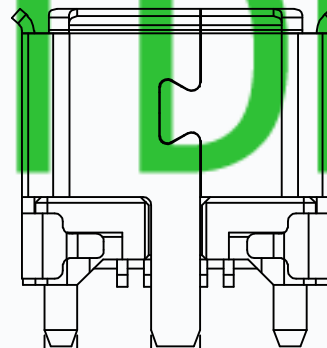
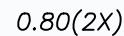
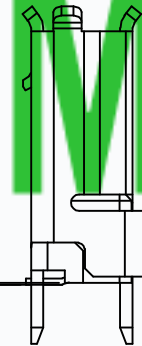
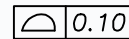
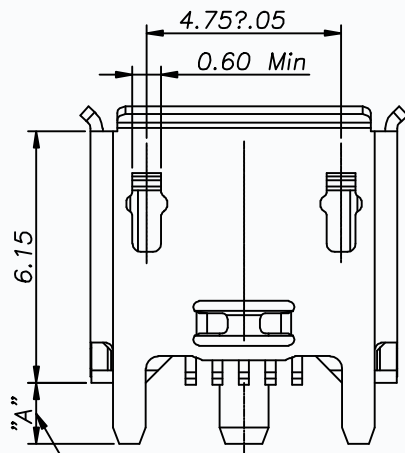
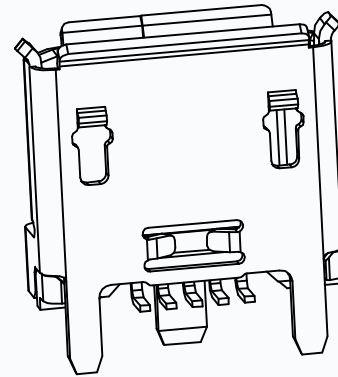
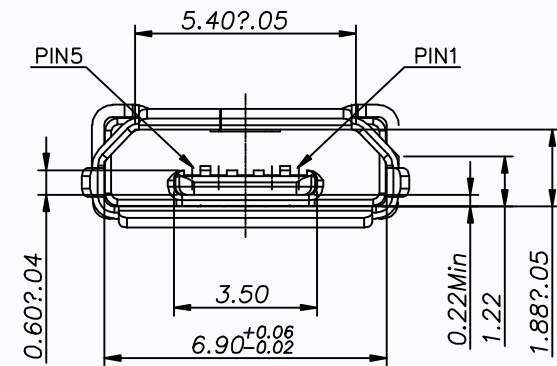
5. ENVIRONMENTAL PERFORMANCE:

- OPERATING TEMPERATURE: -25℃~+85℃

6.IR REFLOW:

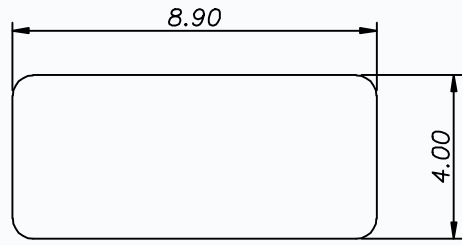
- THE PEAK TEMPERATURE ON THE BOARD SHALL BE MAINTAINED FOR 10 SECONDS AT 260°C.

BRAND:CMTDDZ

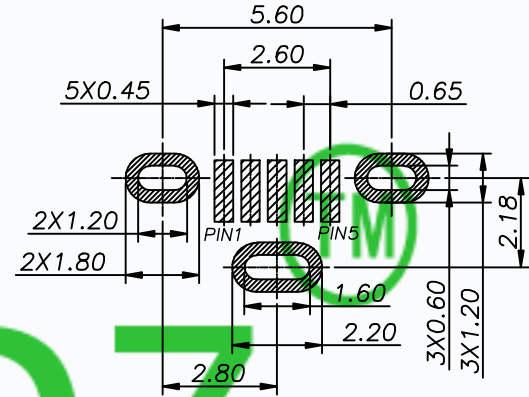
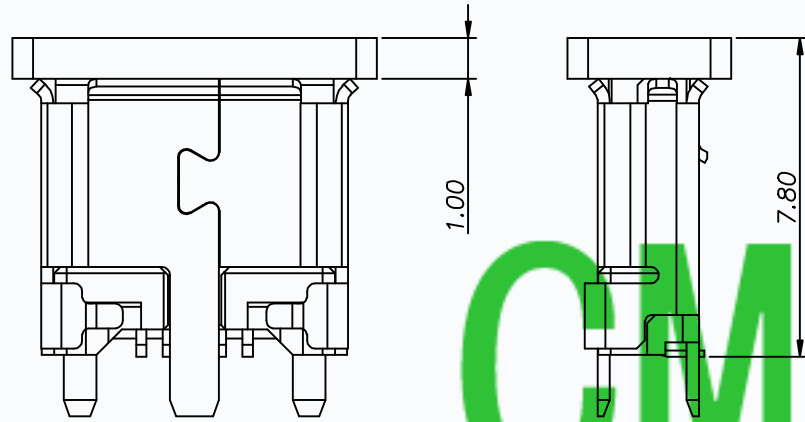


TOLERANCE		NAME(INTENDED USE) CUSTOMER DRAWING	东莞市田都电子有限公司 DONGGUAN TIANDU ELECTRONICS CO.,LTD		
X.X ±0.30	X.' ±10'	PART NO.	TITLE: MICRO USB 5P VERTICAL		
.XX ±0.20	.X' ± 8'	TABLE 1	DRAWG NO. T10-05LS04		
.XXX ±0.10	.XX' ± 5'	DESIGN: P.J.F			
UNITS	mm	CHED:			
MATERILA		APPD:			
FINISH			SCALE	SHEET	REV.
			1:1	1/3	02

REV.	ECN NO.	DESCRIPTION	DATE	DESIGN
01	ECN NO.	INITIAL RELEASED	2018.06.22	SU
02	ECN NO.	NEW SPECIFICATIONS	2019.06.04	SU



WITH PICK UP COVER



RECOMMENDED PCB LAYOUT(TOP VIEW)
DEFAULT TOLERANCE:±0.05

GMTDDZ

MICRO USB PIN ASSIGNMENTS

PIN NUMBER	SIGNAL NAME
Pin1	VBUS
Pin2	D-
Pin3	D+
Pin4	ID
Pin5	GND

TABLE 1

ITEM	P/N	"A" DIMENSIONS
1	T10-05LS04-421	2.30mm
2	T10-05LS04-453	1.50mm
3	T10-05LS04-459	2.00mm

TOLERANCE		NAME(INTENDED USE) CUSTOMER DRAWING	东莞市田都电子有限公司 DONGGUAN TIANDU ELECTRONICS CO.,LTD			
X.X ±0.30	X.' ±10'	PART NO. TABLE 1	TITLE: MICRO USB 5P VERTICAL			
.XX ±0.20	.X' ± 8'					
.XXX ±0.10	.XX' ± 5'					
UNITS	mm	DESIGN: SU	DRAWG NO. T10-05LS04			
MATERILA		CHED:		SCALE	SHEET	REV.
FINISH		APPD:		1:1	2/3	02

REV.	ECN NO.	DESCRIPTION	DATE	DESIGN
01	ECN NO.	INITIAL RELEASED	2018.06.22	SU
02	ECN NO.	NEW SPECIFICATIONS	2019.06.04	SU

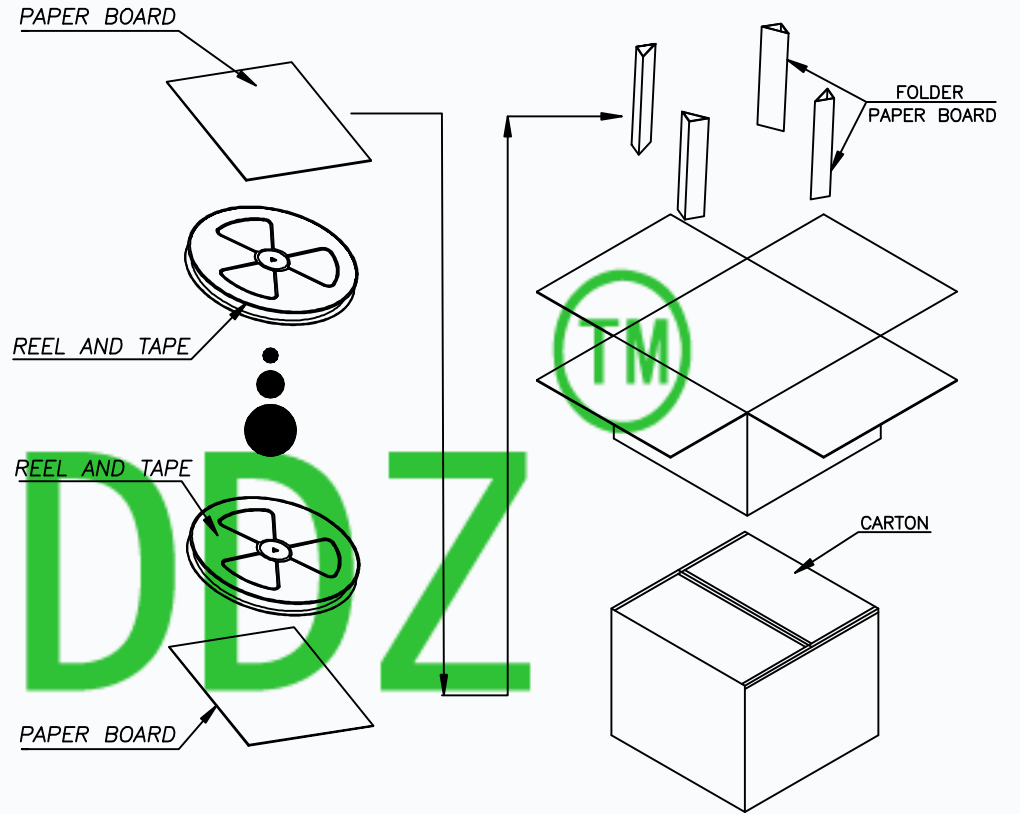
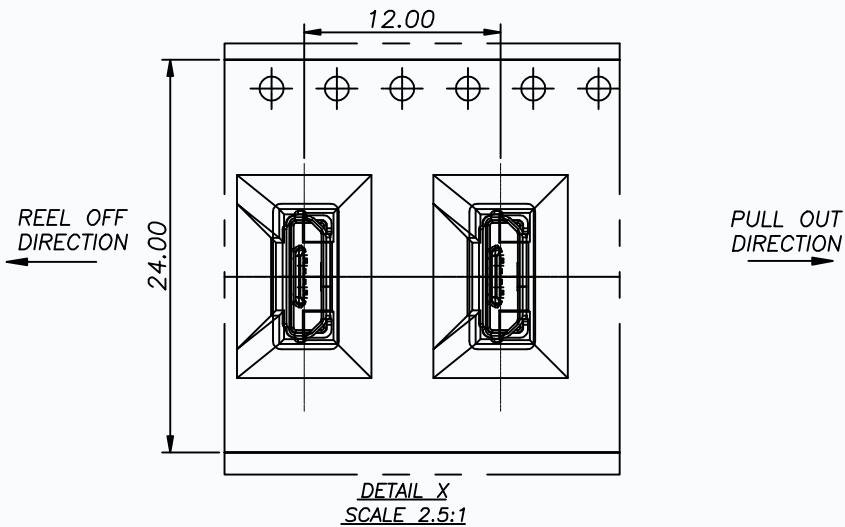
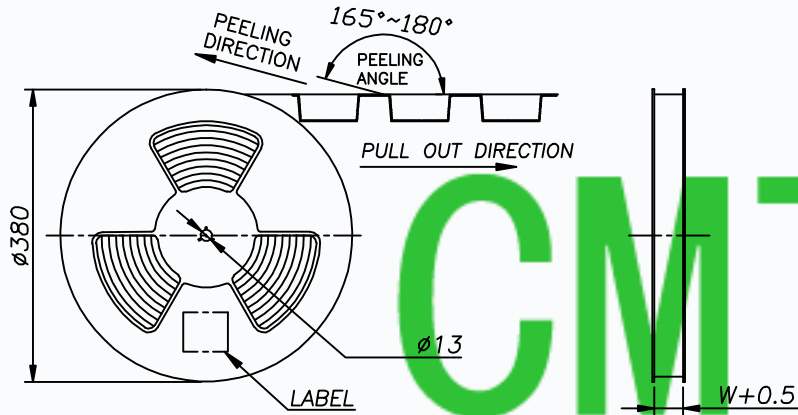
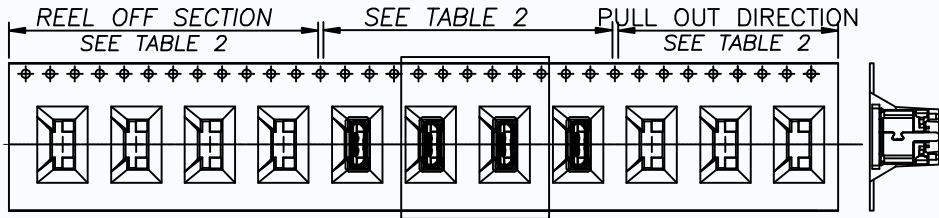


TABLE 2

P/N	CONNECTOR REEL/TRAY	CARTON	SECTION CAVITY	FREE	LEADER CAVITY
T10-05LS04-453	750PCS	7500PCS	25		25
T10-05LS04-421	600PCS	6000PCS	16		16
T10-05LS04-459	600PCS	6000PCS	16		16
TOLERANCE		NAME(INTENDED USE) CUSTOMER DRAWING		东莞市田都电子有限公司 DONGGUAN TIANDU ELECTRONICS CO.,LTD	
X.X ±0.30	X.' ±10'	PART NO.		TITLE:	
.XX ±0.20	.X' ± 8'	TABLE 1		MICRO USB 5P VERTICAL	
.XXX ±0.10	.XX' ± 5'	DESIGN: SU		DRAWG NO.	
UNITS	mm			T10-05LS04	
MATERILA	CHED:			SCALE SHEET REV.	
FINISH	APPD:			1:1 3/3 02	