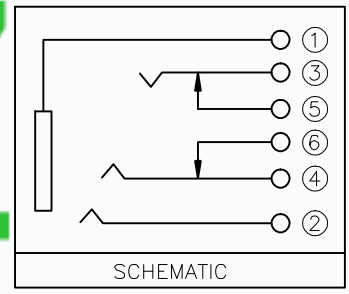
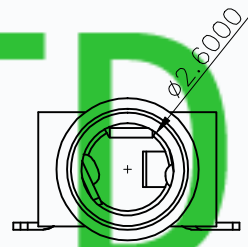
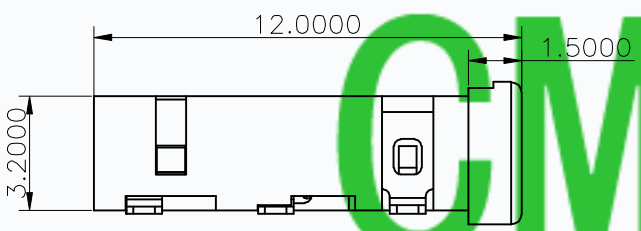
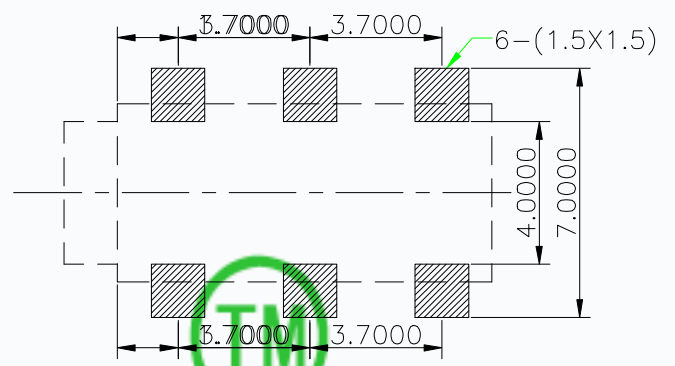
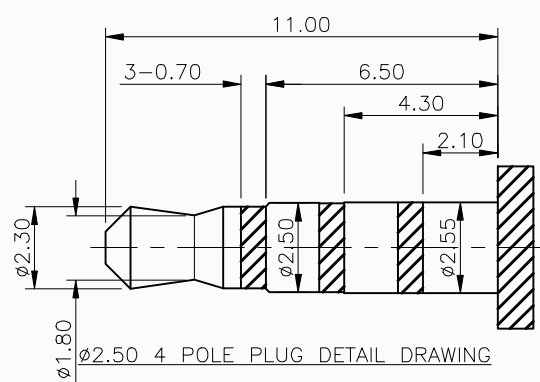
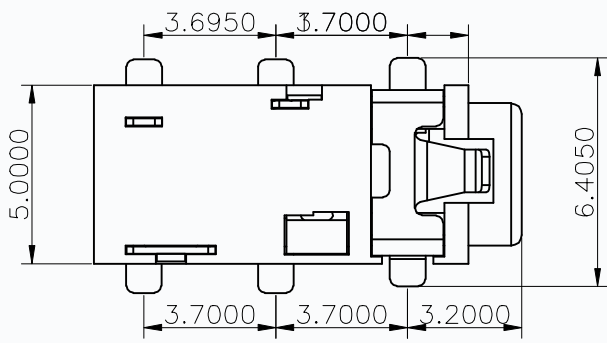
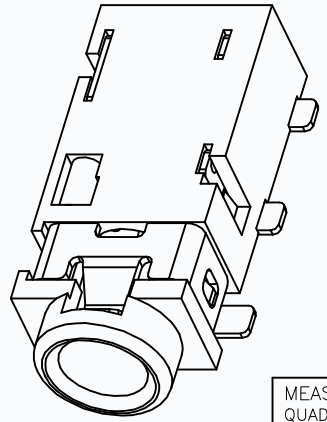
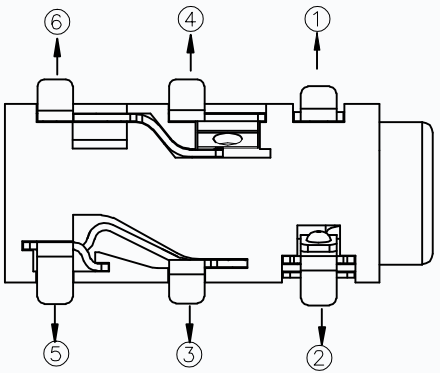


| REVISIONS |         |          |                 |           |        |         |          |
|-----------|---------|----------|-----------------|-----------|--------|---------|----------|
| REV.      | ECN NO. | LOCATION | DESCRIPTION     | DATE      | DESIGN | CHECKED | APPROVED |
| A         |         |          | INITIAL RELEASE | 2009/6/27 | R.YU   |         |          |



CMTDZ



- NOTES:
- CONTACT CURRENT RATING: 1.0A.
  - CONTACT RESISTANCE: 50 mohm MAX.;
  - INSULATION RESISTANCE: 1000MEGOHMS MIN.;
  - DIELECTRIC WITHSTANDING: 300V AC MIN.;
  - DURABILITY: 5,000 CYCLES MIN.;
  - CONNECTOR MATING FORCES: 0.30~3.00Kgf;
  - CONNECTOR UNMATING FORCES: 0.30~3.00Kgf.;

|  |                         |
|--|-------------------------|
| MEASURE POINT: ( XX )                  | QUADRANT POINT (QP)     |
| TANGENCY POINT (TP)                    | INTERSECTION POINT (IP) |
| UNLESS OTHERWISE SPECIFIED, TOLERANCE: |                         |
| X.                                     | ±0.25                   |
| X.x                                    | ±0.20                   |
| X.xx                                   | ±0.15                   |
| X.xxx                                  | ±0.10                   |
| ANGULAR                                | ±3'                     |

**东莞市田都电子有限公司**  
DONGGUAN TIANDU ELECTRONICS CO.,LTD

|             |               |      |           |                                   |        |     |   |        |
|-------------|---------------|------|-----------|-----------------------------------|--------|-----|---|--------|
| DESIGN      | SMITH         | DATE | 2009/6/25 | Ø2.50mm PHONE JACK 4POLE SMT TYPE |        |     |   |        |
| CHECKED     |               | DATE |           |                                   |        |     |   |        |
| APPROVED    |               | DATE |           | CUSTOMER DRAWING                  |        |     |   |        |
| PART NO.    | T13-25242S-6P |      | REV.:     |                                   |        |     | A | SCALE: |
| DRAWING NO. | TDU-25242     |      | SIZE:     | A4                                | SHEET: | 1/1 |   |        |

1  
2  
3  
4  
5

1  
2  
3  
4  
5

A B C D E