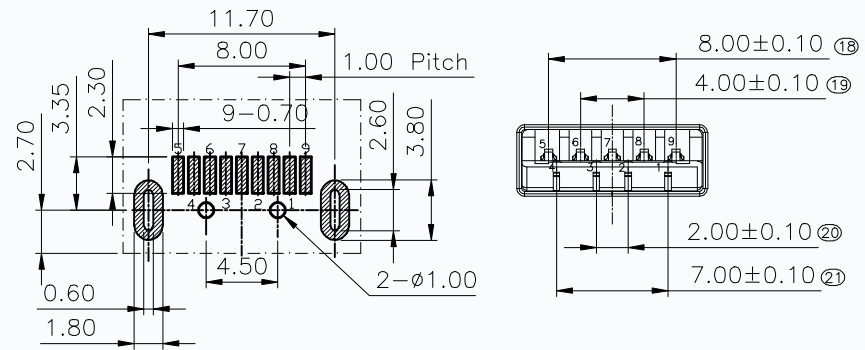
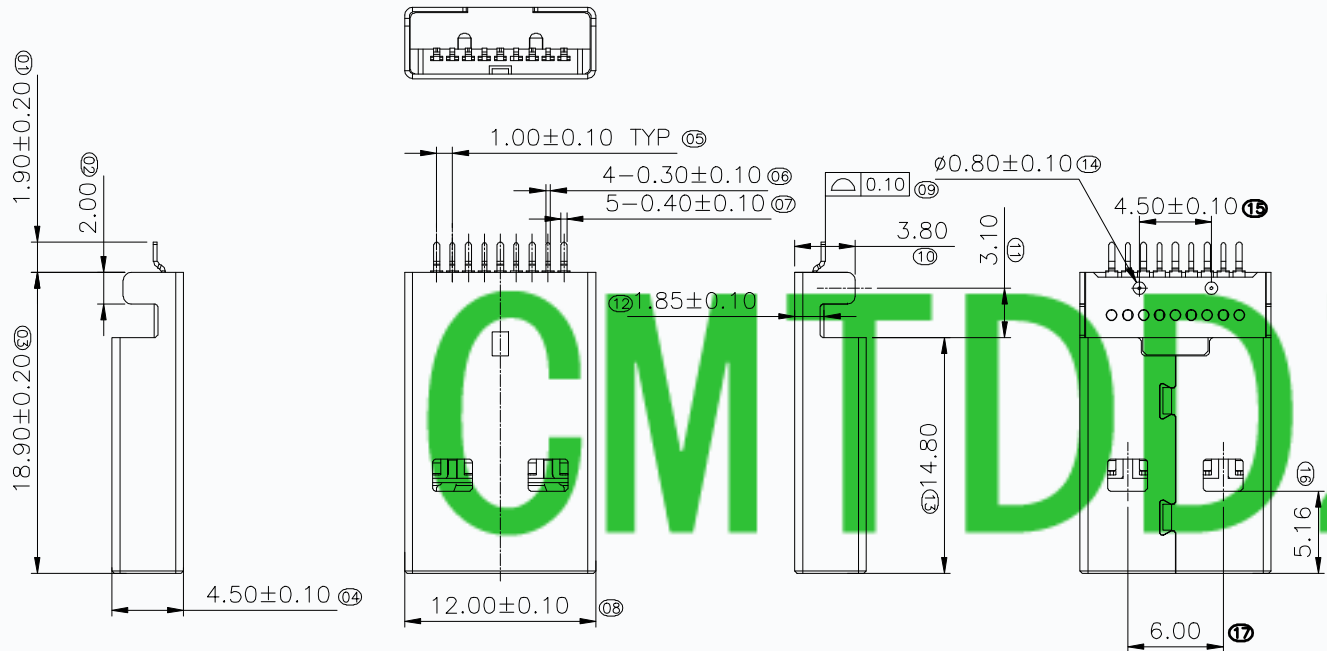


HSF Compliant

REV.	ECN NO.	DESCRIPTION	DRAW	CHECK	APPD.	DATE
A2	ECN151219001	新增LCP黑色		—	—	15-12-19
B0	ECN171212001	新增包装规范				2017.12.12

SPECIFICATIONS:

- 1.0 Electrical Performance:
 - 1.1 Contact current Rating:
 - 1.80 Amperes for VBUS and GND contacts
 - 0.25 Amperes for all other contacts
 - 1.2 Dielectric Withstanding Voltage: AC 100V/minute
 - 1.3 Insulation resistance: 100M ohms Min
 - 1.4 Contact Resistance:
 - 30m ohm Max for VBUS and GND contacts
 - 50m ohm Max for all other contacts
 - 1.5 Voltage Rating : 30 Vac (rms)
- 2.0 Mechanical Performance:
 - 2.1 Mating Force: 35N Max
 - 2.2 Unmating Force: 10N Min; 8N Min After Durability.
 - 2.3 Durability: 1500 cycles
- 3.0 Environmental Performance:
 - 3.1 Temperature Range:
 - 3.1.1 Operating Temperature: -55° C to +85° C
 - 3.1.2 Storage Temperature: -20° C to +60° C
 - 3.2 Salt Spray 24h Min
- 4.0 MATERIAL:
 - 4.1 Housing: LCP, Color: See table UL94 V-0
 - 4.2 Contact: 3.0 Contacts C5191
 - 4.3 Shell: SPCC
- 5.0 PLATING:
 - 5.1 Contact: Au Plated on contact area
Tin 100u" Plated on solder area
Nickel 50u" Plated underplating over all.
 - 5.2 Shell: Nickel 50u" Min plating over all.
- 6. "Q" SHOWS QIP INSPECTION ITEMS.



RECOMMENDED PCB LAYOUT (PCT T=1.60mm)
COMPONENT SIDE: ±0.05mm

料号备注

T10-3 M 004 M X X X X X X X X

A=PACK-T0050
T=PACK-T0051
B=PACK-T0070

12=半金雾锡10"	R=ROHS2.0标准	B=盐雾24H
13=半金雾锡30"	W=无卤+ROHS2.0	C=盐雾48H
14=半金雾锡50"	H=REACH标准	
15=半金雾锡150"	00=LCP蓝铁壳镀镍	
16=半金雾锡300"	01=LCP黑铁壳镀镍	

PIN NUMBER	SIGNAL NAME
1	VBUS
2	D-
3	D+
4	GND
5	StdA_SSRX-
6	StdA_SSRX+
7	GND_DRAIN
8	StdA_SSTX-
9	StdA_SSTX+
Shell Shield	

东莞市田都电子有限公司
DongGuan TianDu Electronics Co.,Ltd

APPROVAL	日期	品名规格	USB AM 3.0 SMT L=1.9 直脚
制图 Michael	2017.12.12	料号	SEE TABLE
审核		字库	工程图号: TDU-USBAM-0108
核准		比例	1 : 1
文件位置		状态码	A
UNLESS OTHERWISE SPECIFIED TOLERANCES METRIC 0.30 .X +/- 0.25 .XX +/- 0.25 FRACTIONS +/- 2.00' ANGLES +/-		版本	B0
DIMENSIONS (METRIC) (MM)		页数	1 OF 1