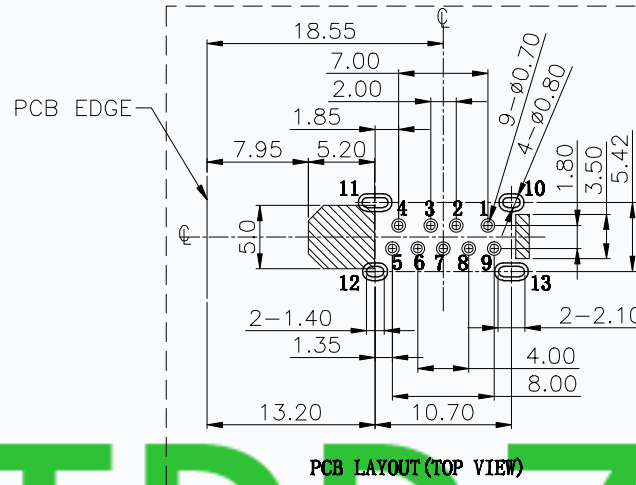
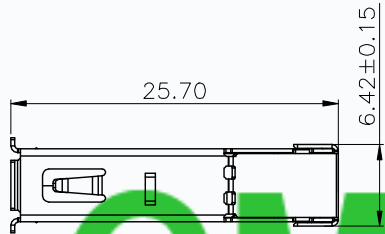
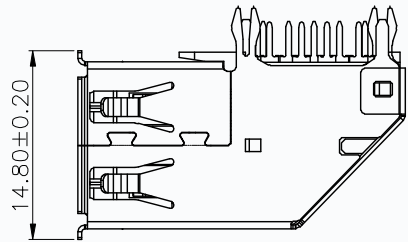
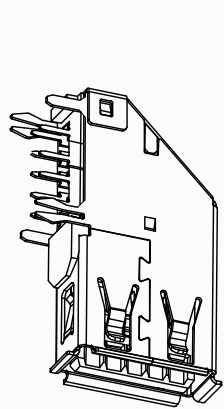


HSF Compliant

REV.	ECN NO.	DESCRIPTION	DRAW	CHECK	APPD.	DATE
A0		NEW DRAWING				2017.08.17

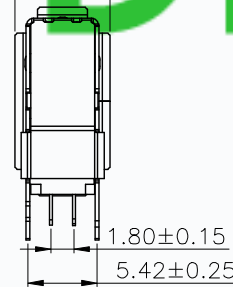
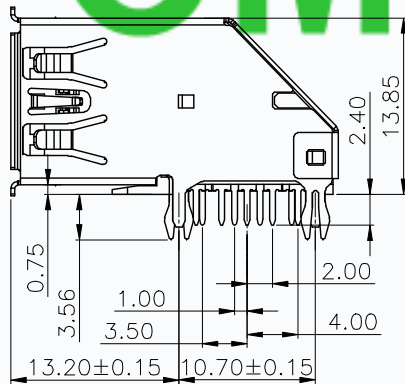
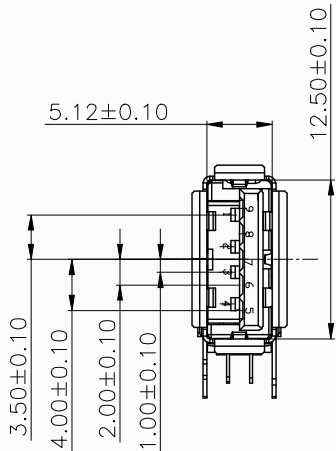


SPECIFICATIONS:
 Contact current Rating:
 1.8 Amperes for pin1&pin4.
 0.25 Amperes other contacts
 Dielectric Withstanding Voltage:AC 100V(RMS)
 Insulation resistance:100Megohms Minimum.
 Contact Resistance:
 30mΩ Max for pin1&pin4
 50mΩ Max for other contacts
Mechanical Characteristics:
 Mating Force:35 Newtons.Maximum
 Unmating Force:10 Newtons.Minimum.
 8N Min After Durability

MATERIAL:
 Housing: LCP
 Contact: copper alloy(T=0.25mm)
 Shell: SUS

PLATING:
 Contact: Au Plated on contact area
 Tin Plated on solder area
 Nickel underplating over all
 Shell: Nickel Plated
 operating Temperature:-55'to+85'

CMTDD7



料号备注

T10-3 F 279 D ×× ×× ×× ××

T=PACK-T0018

- 12=半金雾锡1U"
- 15=半金雾锡15U"
- 16=半金雾锡30U"

- 00=LCP蓝色
- 01=LCP黑色

- R=ROHS2.0标准
- W=无卤+ROHS2.0
- H=REACH标准

- B=盐雾24H
- C=盐雾48H

东莞市田都电子有限公司
 DONGGUAN TIANDU ELECTRONIC CO., LTD

Pin Number	Signal Name	Pin Number	Signal Name
1	VBUS	5	SSRX-
2	D-	6	SSRX+
3	D+	7	GND
4	GND	8	SSTX-
Shell	Shield	9	SSTX+

UNLESS OTHERWISE SPECIFIED TOLERANCES	APPROVAL	日期	品名规格	USB 3.0 A母插 [5PIN新模 头部无连料 脚长2.40]
	制图 ZhangXing	2017.08.17	规格	
METRIC 0.35	审核		料号	SEE TABLE
.X +/- 0.35	核准		字库	工程图号: TDU-USBAF-3319
.XX +/- 0.25	文件位置		比例	1 : 1 状态码 A 页数 1 OF 1
FRACTIONS +/- 2.00'	ANGLE OF PROJECTION		版本	A0
ANGLES +/-				
DIMENSIONS (METRIC) (MM)				