

REV.	ECN NO.	DESCRIPTION	DRAW	CHECK	APPD.	DATE
A1	ECN130722006	变更料号	WEI	—	—	13-07-02
A2	ECN141124001	变更锡脚宽度	BENDEE	—	—	14-11-24
A3	ECN151230001	新增后塞LCP蓝色规格	Elaine			15-12-30

SPECIFICATIONS:

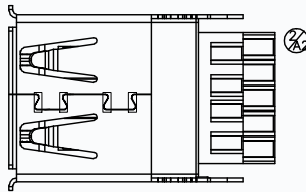
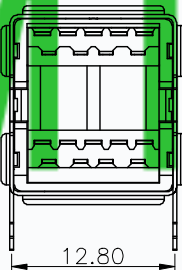
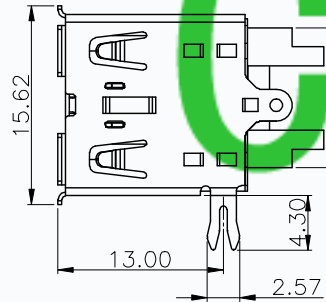
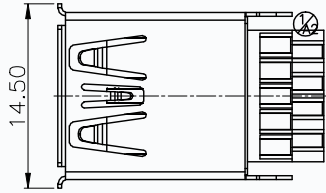
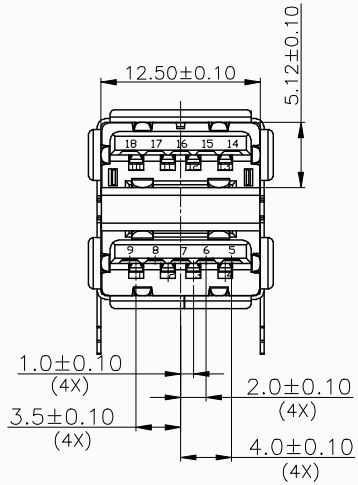
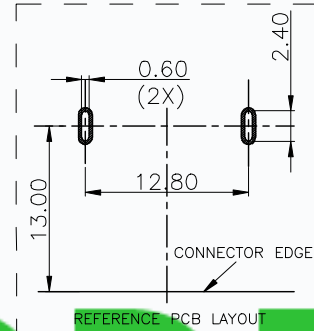
Contact current Rating:
 1.8 Amperes for pin1&pin4.
 0.25 Amperes other contacts

Dielectric Withstanding Voltage:AC 100V(RMS)
 Insulation resistance:100Megohms Minimum.
 Contact Resistance:
 30mΩ Max for pin1&pin4
 50mΩ Max for other contacts

Mechanical Characteristics:
 Mating Force:35 Newtons.Maximum
 Unmating Force:10 Newtons.Minimum.

MATERIAL: 8N Min After Durability
 Housing: PBT+30%GF 94V-0 COLOR:BLUE
 Contact: copper alloy(T=0.25mm)
 Shell: Brass

PLATING:
 Contact: Au Plated on contact area
 Tin Plated on solder area
 Nickel underplating over all
 Shell: Nickel Plated
 operating Temperature:-55'to+85'



料号备注

T	1	0	3	F	0	3	0	S	X	X	T	X	X	X
---	---	---	---	---	---	---	---	---	---	---	---	---	---	---

12=半金雾锡1U*	00=PBT蓝	R=ROHS2.0标准	B=盐雾24H
13=半金雾锡3U*	01=主体PBT蓝后塞LCP蓝	W=无卤+ROHS2.0	C=盐雾48H
14=半金雾锡5U*		H=REACH标准	
15=半金雾锡15U*			
16=半金雾锡30U*			

东莞市田都电子有限公司
 DONGGUAN SHI TIANDU ELECTRONIC CO.,LTD

Pin Number	Signal Name	Pin Number	Signal Name
1/10	VBUS	5/14	SSRX-
2/11	D-	6/15	SSRX+
3/12	D+	7/16	GND
4/13	GND	8/17	SSTX-
Shell	Shield	9/18	SSTX+

UNLESS OTHERWISE SPECIFIED TOLERANCES		APPROVAL	日期	品名	USB 3.0 AF 双层180°焊线 (B款鱼叉脚有缺口)
X.	+/- 0.35	制图 WEIMINGJUN	2011.07.25	规格	
.X	+/- 0.35	审核 xudongbin	2011.07.25	料号	SEE TBALE
.XX	+/- 0.25	核准 xudongbin	2011.07.25	字库	工程图号: TDU-USBAF-0104
FRACTIONS	+/- 2.00'	文件位置		版本	A3
ANGLES	+/-	ANGLE OF PROJECTION		比例	1 : 1 状态列 A 页数 1 OF 1