

REV.	ECN NO.	DESCRIPTION	DRAW	CHECK	APPD.	DATE
A0	—	NEW DWG	Elaine	—	—	2015.12.13

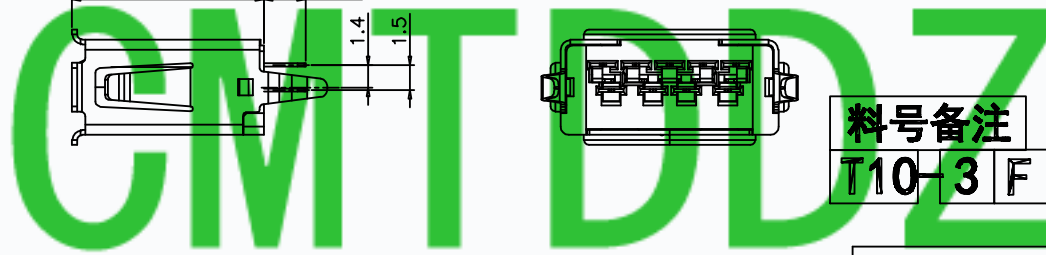
NOTES:

1.MATERIAL:

- 1.1 HOUSING: HIGH TEMPERATURE THERAL PLASTIC.
- 1.2 SPRING CONTACT: COPPER ALLOY.
- 1.3 FLAT CONTACT;COPPER ALLOY
- 1.4 SHELL :COPPER ALLOY.
- 1.5 COVER:HIGH TEMPERATURE THERAL PLASTIC.

2.FINISH:

- 2.1 CONTACT: (SEE P/N.),[50μ"] MIN. NICKEL UNDERPLATING OVER ALL.
- 2.2 SHELL: [50μ"] MIN.SOLDERABILITY NICKEL UNDERPLATING OVER ALL.



料号备注

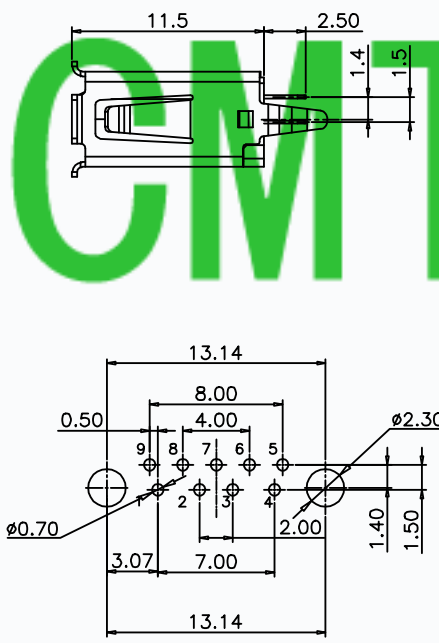
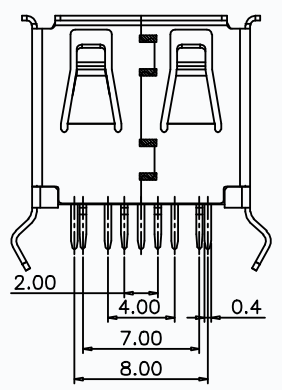
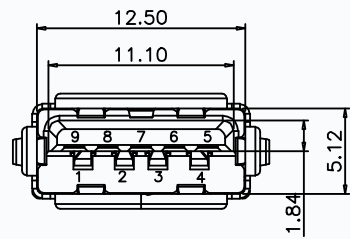
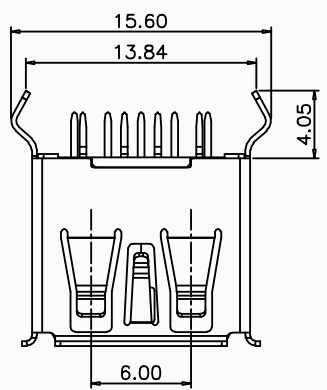
T10-3 F 179 D ×× T ×× ××

- 12-半金雾锡10"
- 13-半金雾锡30"
- 14-半金雾锡50"
- 15-半金雾锡150"
- 16-半金雾锡300"

00=PBT蓝 铜壳镀铬

R=ROHS2.0标准
W=无卤+ROHS2.0
H=REACH标准

B=丝雾24H
C=丝雾48H



PIN NO.	PIN 1	PIN 2	PIN 3	PIN 4
SLGNL NAME	V BUS	D-	D+	GND
REMARK	USB 2.0 CONTACT PINS			

PIN NO.	PIN 5	PIN 6	PIN 7	PIN 8	PIN 9
SLGNL NAME	STDA_SSRX-	STDA_SSRX+	GND_DRAIN	STDA_SSTX-	STDA_SSTX+
REMARK	USB 3.0 CONTACT PINS				

东莞市田都电子有限公司
DongGuan TianDu Electronics Co.,Ltd

UNLESS OTHERWISE SPECIFIED TOLERANCES	APPROVAL	日期	品名规格	USB 3.0 AF 180度DIP有卷边款 (L=11.5)
	制图 Elaine	2015.12.03		
X. +/- 0.30	审核		料号	SEE TABLE
.X +/- 0.25	核准			
.XX +/- 0.15	文件位置		字表	工程图号:
FRACTIONS +/- 2.00'	ANGLE OF PROJECTION		A4	版本 A0
DIMENSIONS (METRIC) (MM)			比例	1 : 1
			状态	W
			页数	1 OF 1