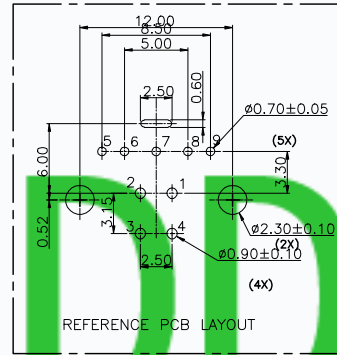
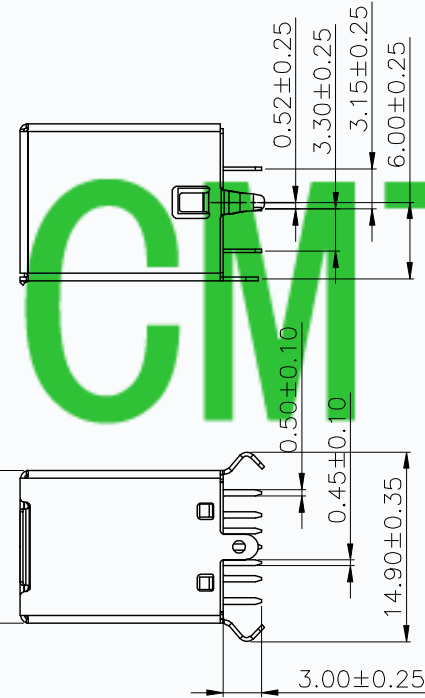
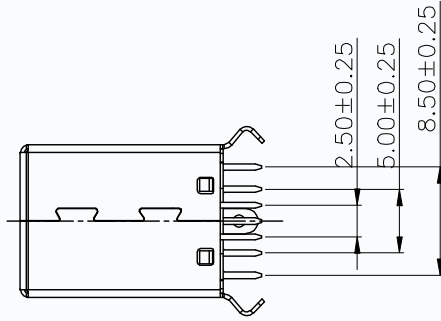


REV.	ECN NO.	DESCRIPTION	DRAW	CHECK	APPD.	DATE
A0	ECN130514030	新发行	xu dong bin	—	—	13-05-14
A1	ECN130803011	变更料号	WEI			13-08-03



**SPECIFICATIONS:**

**Contact current Rating:**

1.8 Amperes for pin1&pin4.

0.25 Amperes other contacts

**Dielectric Withstanding Voltage:AC 100V(RMS)**

**Insulation resistance:100Megohms Minimum.**

**Contact Resistance:**

30mΩ Max for pin1&pin4

50mΩ Max for other contacts

**Mechanical Characteristics:**

**Mating Force:35 Newtons. Maximum**

**Unmating Force:10 Newtons. Minimum.**

**MATERIAL: 8N Min After Durability**

**Housing: PBT+30%GF 94V-0 COLOR:SEE TABLE**

**Contact: copper alloy( T=0.25mm)**

**Shell: SEE TABLE**

**PLATING:**

**Contact: Au Plated(SEE TABLE) on contact area**

**Tin Plated on solder area**

**Nickel underplating over all**

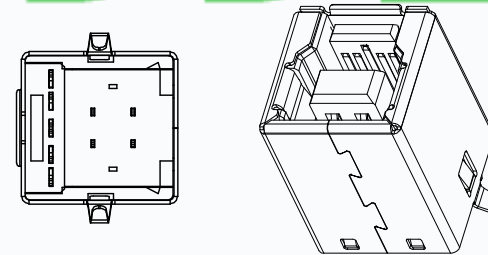
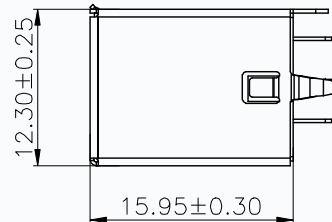
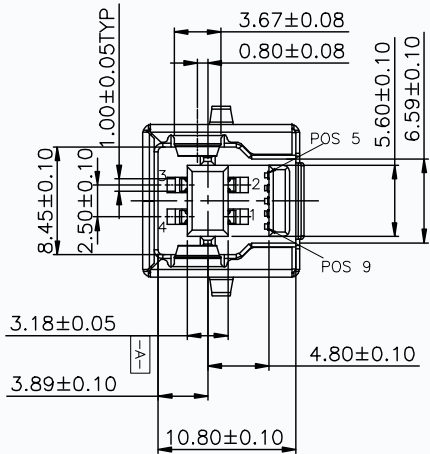
**Shell: Nickel Plated**

**operating Temperature:-55° to+85°**

**料号备注**

T10-3 F 043 D XX T XX XX

12-半金穿插10°	00-PBT直插壳镀镍	R-ROHS2.0标准	D-插座24E
13-半金穿插30°	01-LCF直插壳镀镍	F-无卤+ROHS2.0	C-插座48E
14-半金穿插60°	02-PBT直插壳镀镍		
15-半金穿插180°	03-LCF直插壳镀镍		
16-半金穿插300°	04-PBT直插壳镀镍		
	05-PBT直插壳镀金		



**东莞市田都电子有限公司**  
DONGGUAN TIANDU ELECTRONIC CO.,LTD

UNLESS OTHERWISE SPECIFIED TOLERANCES		APPROVAL	日期	品名规格	USB 3.0 BF 180° DIP
X.	+/-	制图 WEIMINGJUN	2013.05.14	料号	
.X	+/-	审核 xudongbin	2013.05.14		
.XX	+/-	核准 xudongbin	2013.05.14		
FRACTIONS +/-		文件位置		字架	工程图号:
ANGLES +/-		2.00'		A4	TDU-USBBF-0617
DIMENSIONS		ANGLE OF PROJECTION		比例	1 : 1
(METRIC)	(MM)			状态码	A
				页数	1 OF 1
				版本	A1

Pin Number	Signal Name	Pin Number	Signal Name
1	VBUS	5	StaB_SSTX-
2	D-	6	StaB_SSTX+
3	D+	7	GND_DRAIN
4	GND	8	StaB_SSRX-
Shell	Shield	9	StaB_SSRX+