

REV.	ECN NO.	DESCRIPTION	DRAW	CHECK	APPD.	DATE
A0	—	新发行		—	—	2015.06.02

**NOTE:**

**1. MATERIAL:**

- 1.1 INSULATOR:LCP UL 94V-0 蓝
- 1.2 CONTACT:C5191 (T=0.20mm)
- 1.3 SHELL:C2680 (T=0.30mm)

**2. ELECTRICAL CHARACTERISTICS:**

- 2.1 CONTACT RESISTANCE:30mΩ MAXIMUM
- 2.2 CONTACT CURRENT RATING:1.5A
- 2.3 DIELECTRIC WITHSTANDING VOLTAGE:500 V R. M. S.
- 2.4 INSULATION RESISTANCE 1000 MEGOHMS MIN
- 2.5 OPERATING TEMPERATURE:-40° C ~ 85° C

**3 MECHANICAL CHARACTERISTICS:**

- 3.1 MATING FORCE:3.57kg MAX
- 3.2 UNMATED FORCE:1.02kg MIN
- 3.3 DURABILITY:MANDATORY:5,000 CYCLES

**4. PLATING**

**4.1 TERMINAL:**

- 50u" MIN NICKEL ALL OVER
- 100u"MIN Tin ON SOLDER AREA
- (1~30)u"Au ON CONTACT AREA
- 4.2 SHELL:100u"MIN. NICEL ALL OVER
- 5."▽" FOR MAJOR DIM

**料号备注**

T10-3 F 148 M XX T XX X X

12=半金雾锡1U"

13=半金雾锡3U"

14=半金雾锡5U"

15=半金雾锡15U"

16=半金雾锡30U"

00=LCP蓝铜壳镀膜

01=LCP绿(7737C)铜壳镀膜

02=PA9T蓝铜壳镀膜

R=ROHS2.0标准

W=无齿+ROHS2.0

H=REACH标准

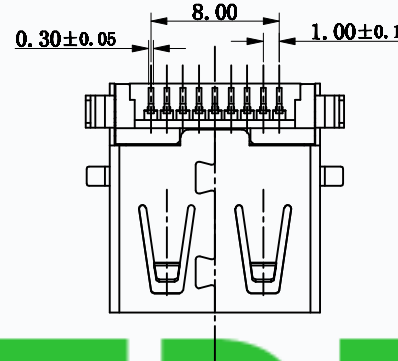
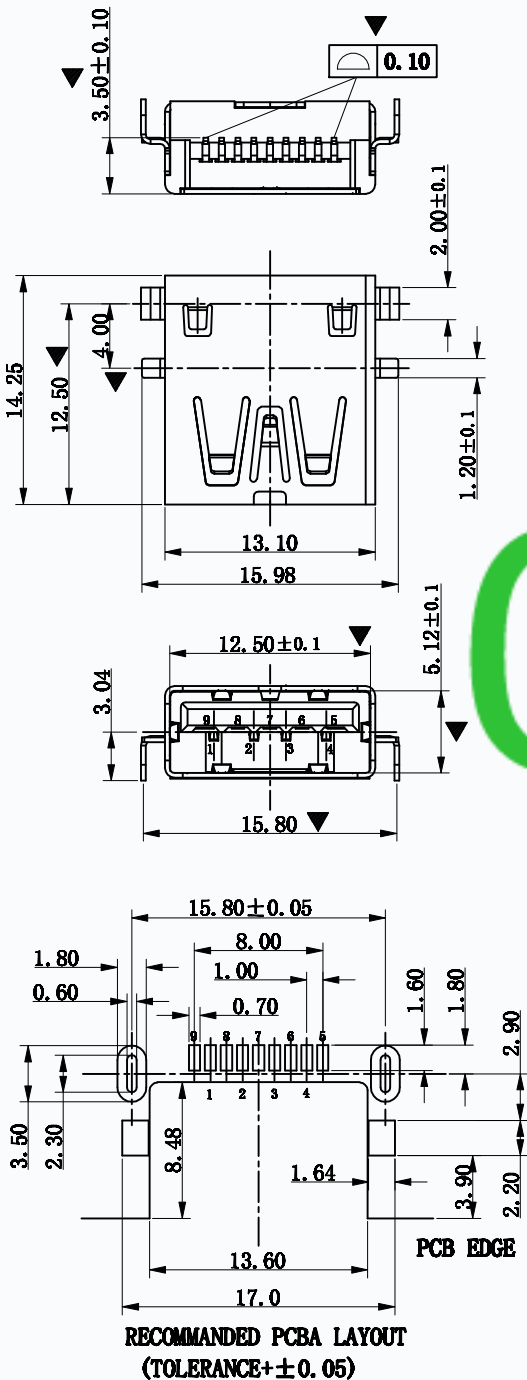
B=盐雾24H

C=盐雾48H

**东莞市田都电子有限公司**

DongGuan TianDu Electronics Co.,Ltd

UNLESS OTHERWISE SPECIFIED TOLERANCES		APPROVAL	日期	品名规格	USB 3.0 AF SMT沉板 (方脚 无卷边)
X. +/-	METRIC 0.30	制圖 Amanda	2015.06.02	审核	
.X +/-	0.25	核准		核准	
.XX +/-	0.25	文件位置		料号	SEE TABLE
FRACTIONS +/-				字號	工程圖號:
ANGLES +/-	2.00°			A4	DWG-USBAF-208
DIMENSIONS (METRIC) (MM)		ANGLE OF PROJECTION		比例	1 : 1 状态 W 頁數 1 OF 1



**CMTDDZ**