

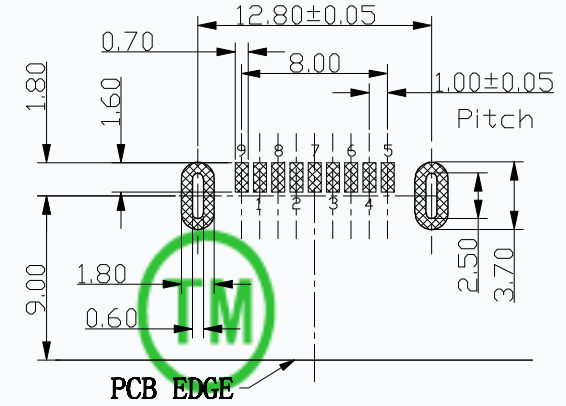
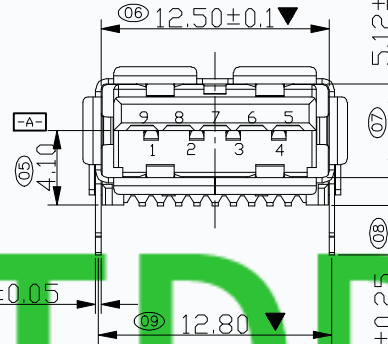
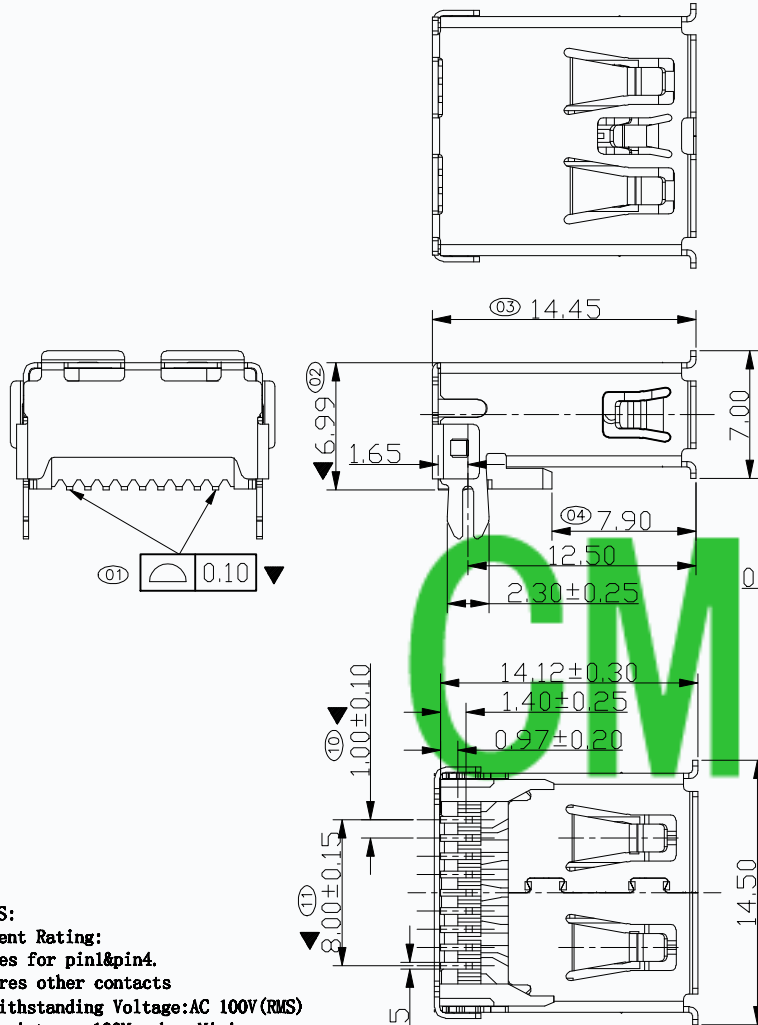
4

3

2

1

REV.	ECN NO.	DESCRIPTION	DRAW	CHECK	APPD.	DATE
A1	ECN150505001	变更图纸	Amanda	—	—	2015.05.05
A2	ECN180414001	增加包装选项	Jody	—	—	2018.04.14
A3	ECN180627001	增加包装选项	Elaine	bendee	jobs	2018.06.27



RECOMMENDED PCB LAYOUT
TOLERANCES: ±0.05

- B=PACK-R0056
- A=PACK-T0089
- T=PACK-T0080

料号备注
T10-3 F 099 M X X X X X X X X

- 12=半金雾锡10"
- 13=半金雾锡30"
- 14=半金雾锡50"
- 15=半金雾锡150"
- 16=半金雾锡300"

- R=ROHS2.0标准
- W=无卤+ROHS2.0
- B=丝雾24H
- C=丝雾48H

00=LCP蓝 铜壳镀镍

SPECIFICATIONS:
Contact current Rating:
 1.8 Amperes for pin1&pin4.
 0.25 Amperes other contacts
Dielectric Withstanding Voltage:AC 100V (RMS)
Insulation resistance:100Megohms Minimum.
Contact Resistance:
 30m ohm Max for pin1&pin4
 50m ohm Max for other contacts
Mechanical Characteristics:
 Mating Force:35 Newtons, Maximum
 Unmating Force:10 Newtons, Minimum.
MATERIAL: 8N Min After Durability
 Housing: LCP+30%GF 94V-0 COLOR:BLUE
 Contact: phosphor bronze
 Shell: BRASS
PLATING:
 Contact: Gold flash Plated on contact area
 Tin Plated 100~200u"on solder area [Salt 8h]
 Nickel 50~100u" underplating over all
 Shell: Nickel Plated 80~200u"[Salt 24h]
operating Temperature:-55 to+85'

ITEM	PART NAME	Material	Q'TY	REMARK
1	Shell	C2680	1	T=0.3
2	Contact	C5191	9	T=0.20 Plating Gold/Tin
3	Housing	LCP+30%GF	1	Blue UL94V-0

Pin NUMBER	SIGNAL NAME
1	VBUS
2	D-
3	D+
4	GND
5	StdA_SSRX-
6	StdA_SSRX+
7	GND_DRAIN
8	StdA_SSTX-
9	StdA_SSTX+
Shell	Shield

东莞市田都电子有限公司
Dong Guan TianDu Electronics Co.,Ltd

APPROVAL		日期	品名规格
制图		2018.04.14	USB 3.0 AF SMT鱼叉脚
审核			
核准			料号 SEE TABLE
文件位置			字库 A4
ANGLE OF PROJECTION			工程图号: DWG-USBAF-159
DIMENSIONS (METRIC) (MM)			版本: A3
比例	1 : 1	状态码	W
页数	1	OF	1

4

3

2

1