

4

3

2

1

REV.	ECN NO.	DESCRIPTION	DRAW	CHECK	APPD.	DATE
A1	ECN150530001	修正料号代码W及增加卷装	Amanda			2015.05.30
A2	ECN180809001	增加PA9T材质	Jody	BENDEE	JOBS	2015.05.30

NOTE:

1. MATERIAL:

- 1.1 INSULATOR:LCP UL 94V-0
- 1.2 CONTACT:BRONZE
- 1.3 SHELL:BRASS

2. ELECTRICAL CHARACTERISTICS:

- 2.1 CONTACT RESISTANCE:30mΩ MAXIMUM
- 2.2 CONTACT CURRENT RATING:1.5A
- 2.3 DIELECTRIC WITHSTANDING VOLTAGE:100 V AC R. M. S.
- 2.4 INSULATION RESISTANCE 100 MEGOHMS MIN
- 2.5 OPERATING TEMPERATURE:-40° C ~ 85° C

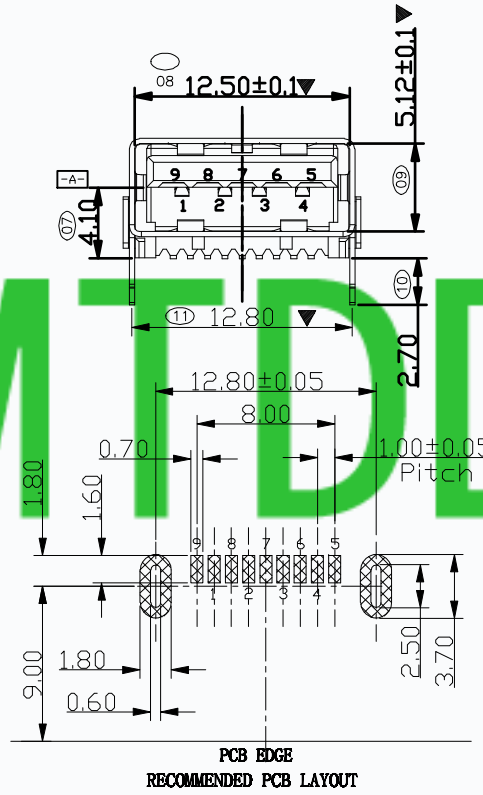
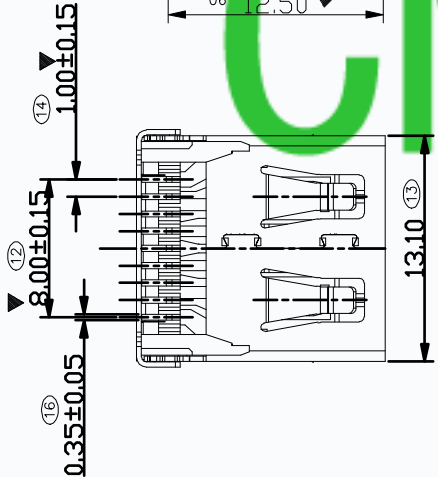
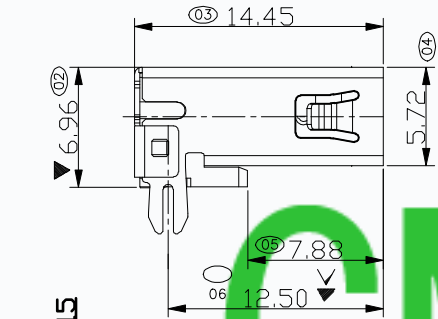
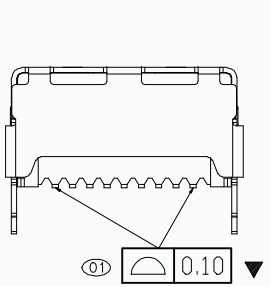
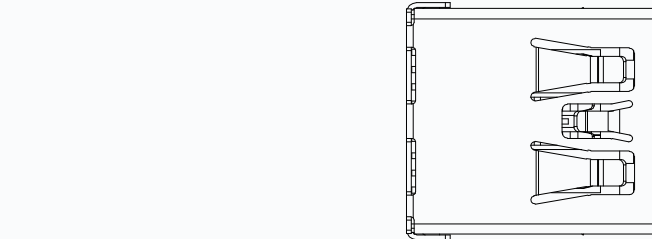
3. MECHANICAL CHARACTERISTICS:

- 3.1 MATING FORCE:3.57kgf MAX
- 3.2 UNMATED FORCE:0.82kgf MIN AFTER TEST
- 3.3 DURABILITY MANDATORY:5,000 CYCLES

4. PLATING

4.1 TERMINAL:

- 50u" MIN NICKEL ALL OVER
  - 80u"MIN Tin ON SOLDER AREA
  - (1~30)u"Au ON CONTACT AREA
- 4.2 SHELL:100u"MIN. NICEL ALL OVER



料号备注



T=PACK-T0090

T10	3	F	094	M	×	×	×	×	×	×
-----	---	---	-----	---	---	---	---	---	---	---

- 12=半金雾锡10"
- 13=半金雾锡30"
- 14=半金雾锡50"
- 15=半金雾锡150"
- 16=半金雾锡300"

T=盘装  
R=卷装

01=PA9T黑  
00=LCP蓝

R=ROHS2.0标准  
W=无卤/ROHS2.0  
H=REACH标准

B=盐雾24H  
C=盐雾48H

Pin NUMBER	SIGNAL NAME
1	VBUS
2	D-
3	D+
4	GND
5	StdA_SSRX-
6	StdA_SSRX+
7	GND_DRAIN
8	StdA_SSTX-
9	StdA_SSTX+
Shell	Shield

UNLESS OTHERWISE SPECIFIED TOLERANCES

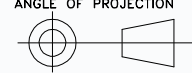
X.	+/-	METRIC 0.30
.X	+/-	0.25
.XX	+/-	0.25
FRACTIONS	+/-	
ANGLES	+/-	2.00'

DIMENSIONS (METRIC) (MM)

APPROVAL	日期	品名规格
制图	18.08.09	USB 3.0 A FEMALE SMT TYPE (新模 无卷边, 14.45规格)
审核		
核准		
文件位置		

料号	字库	工程图号:	版本:
SEE TABLE	A4	DWG-USBAF-154	A2
比例	1 : 1	状态码 W	页数 1 OF 1

东莞市田都电子有限公司  
Dong Guan TianDu Electronics Co.,Ltd



4

3

2

1