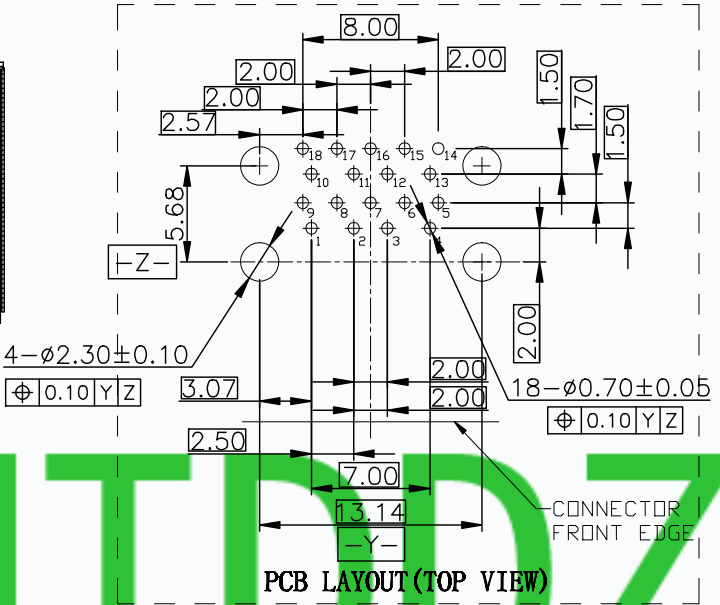
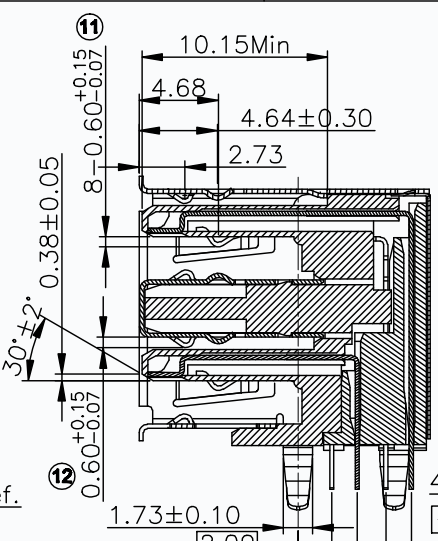
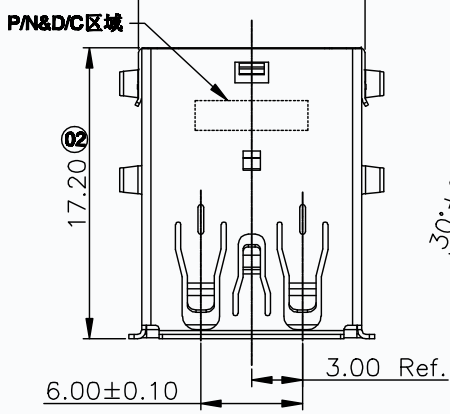


REV.	ECN NO.	DESCRIPTION	DRAW	CHECK	APPD.	DATE
A0		新发行	ZHAOCI	—	—	15.07.10
A1	ECN150909001	取消成品外壳口部的缺口	ZHAOCI			15.09.10

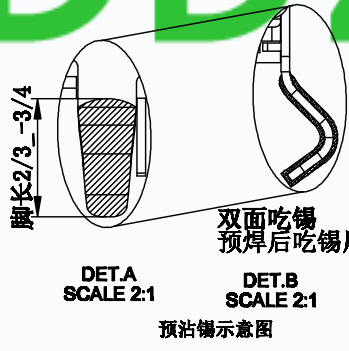
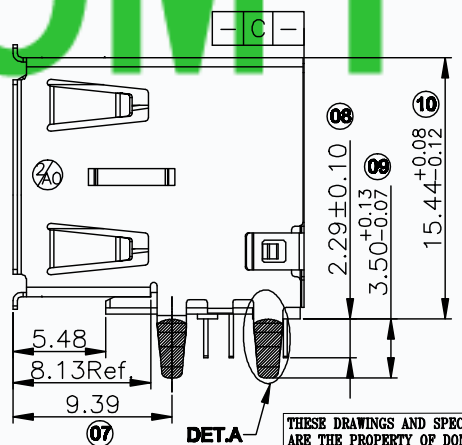
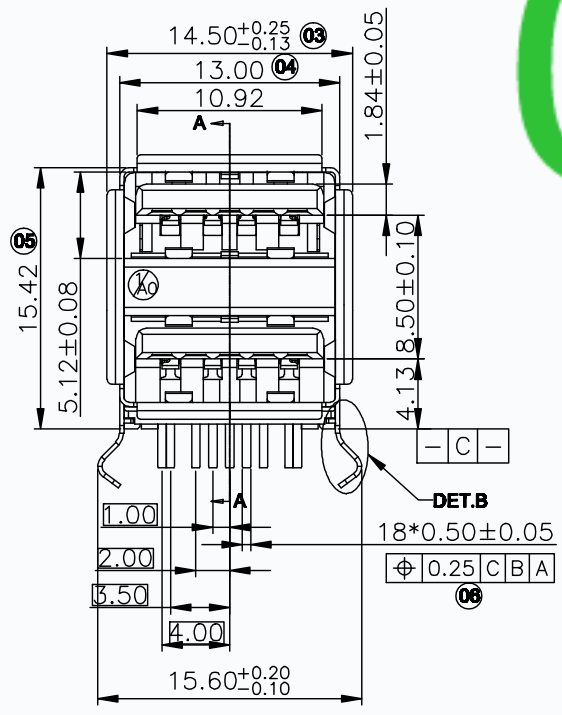


SPECIFICATIONS:
 Contact current Rating:
 1.8 Amperes for pin1&pin4.
 0.25 Amperes other contacts
 Dielectric Withstanding Voltage:AC 100V(RMS)
 Insulation resistance:100Megohms Minimum.
 Contact Resistance:
 30mΩ Max for pin1&pin4
 50mΩ Max for other contacts
Mechanical Characteristics:
 Mating Force:35 Newtons.Maximum
 Unmating Force:10 Newtons.Minimum.
MATERIAL: 8N Min After Durability
 Housing: PA9T+30%GF COLOR:BLUE
 Contact: copper alloy(T=0.25mm)
 Shell: Stainless Steel

PLATING:
 Contact: Au Plated on contact area
 Tin Plated on solder area
 Nickel underplating over all
 Shell: The shell feet Wetting tin
 operating Temperature: -55iäto+85iä

**SECTION A-A
SCALE 1:1**

PCB LAYOUT (TOP VIEW)



料号备注 T=PACK-T0001

T10	-3	F	155	D	XX	X	XX	XX	XX
-----	----	---	-----	---	----	---	----	----	----

- 12=半金弯脚10°
- 13=半金弯脚30°
- 14=半金弯脚60°
- 16=半金弯脚150°
- 16=半金弯脚300°
- 00=PA9T+30%GF 不锈钢蚀锡
- 01=PA9T 直 不锈钢蚀锡
- R=ROHS2.0标准
- F=无卤+ROHS2.0
- H=REACE标准
- B=盐雾24H
- C=盐雾48H

THESE DRAWINGS AND SPECIFICATIONS ARE THE PROPERTY OF DONGGUAN TIANDU ELECTRONICS CO.,LTD. AND SHALL NOT BE REPRODUCED, COPIED OR USED IN ANY MANNER WITHOUT THE PRIOR WRITTEN CONSENT OF DONGGUAN TIANDU ELECTRONICS CO., LTD

Pin Number	Signal Name	Pin Number	Signal Name
1/10	VBUS	5/14	SSRX-
2/11	D-	6/15	SSRX+
3/12	D+	7/16	GND
4/13	GND	8/17	SSTX-
Shell	Shield	9/18	SSTX+

东莞市田都电子有限公司
DongGuan TianDu Electronics Co.,Ltd

UNLESS OTHERWISE SPECIFIED TOLERANCES	APPROVAL	日期	品名规格	USB 3.0 AF 双层90° DIP D款 弯脚
METRIC 0.35	制图 ZHAOCI	2015.07.10	审核	
.X +/- 0.20	核准		料号	SEE TABLE
.XX +/- 0.08	文件位置		字库	工程图号: DWG-USBAF-215
FRACTIONS +/- 2.00'	ANGLE OF PROJECTION		比例	1 : 1
DIMENSIONS (METRIC) (MM)			状态码	A
			页数	1 OF 1