

REV.	ECN NO.	DESCRIPTION	DRAW	CHECK	APPD.	DATE
A0	—	NEW	xu dong bin	—	—	2014.03.19

SPECIFICATIONS:

Contact current Rating:

1.8 Amperes for pin1&pin4.

0.25 Amperes other contacts

Dielectric Withstanding Voltage:AC 100V(RMS)

Insulation resistance:100Megohms Minimum.

Contact Resistance:

30mΩ Max for pin1&pin4

50mΩ Max for other contacts

Mechanical Characteristics:

Mating Force:35 Newtons.Maximum

Unmating Force:10 Newtons.Minimum.

MATERIAL: 316L Min After Durability

Housing: SEE TABLE, 94V-0

Contact: copper alloy(T=0.25mm)

Shell: Brass

PLATING:

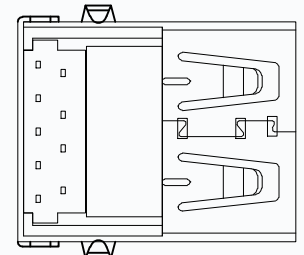
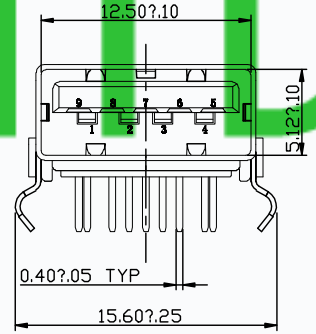
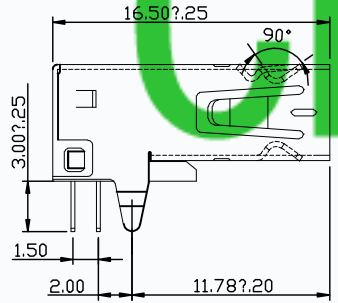
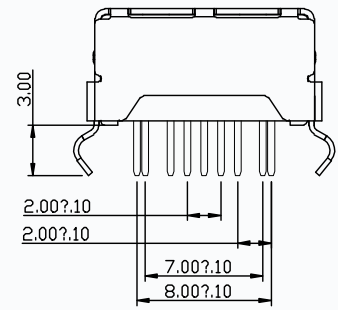
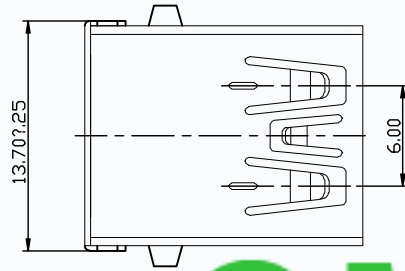
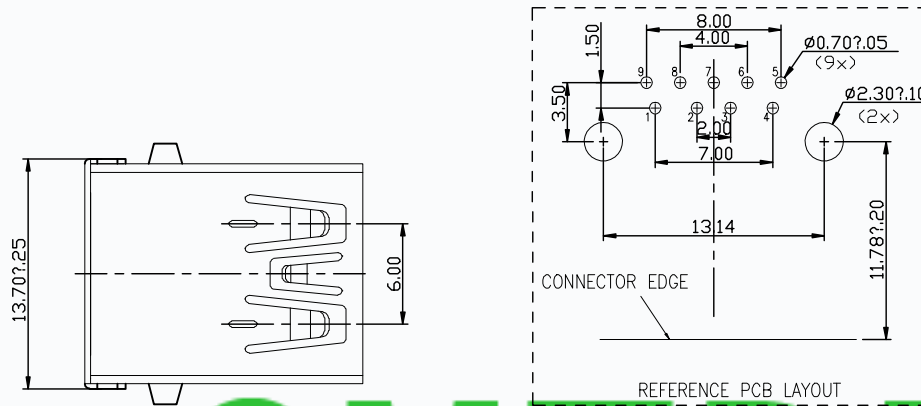
Contact: Au Plated on contact area

Tin Plated on solder area

Nickel underplating over all

Shell: Nickel Plated

operating Temperature:-55℃to+85℃



料号备注
T10-3 F 133 D XX X XX XX

12-半金穿插1U"	00-PBT蓝 铜壳镀镍	R=ROHS2.0标准	B=插座24H
13-半金穿插3U"	01-LCP蓝 铜壳镀镍	V=无卤+ROHS2.0	C=插座48H
14-半金穿插6U"	02-PAGT蓝 铜壳镀镍	H=REACH标准	
15-半金穿插16U"	03-PBT蓝 铜壳镀金		
16-半金穿插30U"	04-PBT黑 铜壳镀镍		

东莞市田都电子有限公司

Dong Guan TianDu Electronics Co.,Ltd

Pin Number	Signal Name
1	VBUS
2	D-
3	D+
4	GND
5	SSRX-
6	SSRX+
7	GND
8	SSTX-
9	SSTX+
Shell	Shield

UNLESS OTHERWISE SPECIFIED TOLERANCES		APPROVAL	日期	品名规格	USB 3.0 AF 90°DIP 无卷边无缺口. 短脚型弯脚 脚长3.0
X.	+/-	制图	2012.03.19	料号	
.X	+/-	审核		字卡	工程图号: DWG-USBAF-182
.XX	+/-	核准		比例	1 : 1
FRACTIONS	+/-	文件位置		状态码	A
ANGLES	+/-	ANGLE OF PROJECTION		页码	1 OF 1
DIMENSIONS		(METRIC)	(MM)	版本	A0

