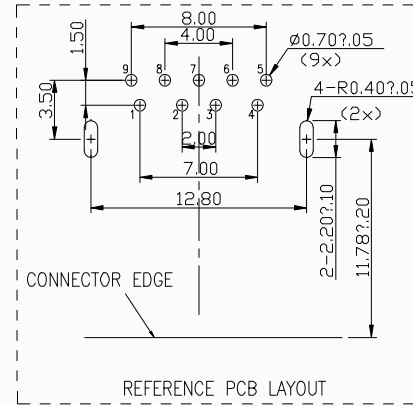
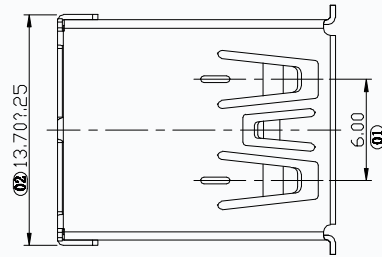


REV.	ECN NO.	DESCRIPTION	DRAW	CHECK	APPD.	DATE
A0	—	新发行	LIANG.WU	BENDEE	BENDEE	17-03-17
B0	ECN170815001	修正图面	Michael	BENDEE	JOHNNY	17-10-24



SPECIFICATIONS:
 Contact current Rating:
 1.8 Amperes for pin1&pin4.
 0.25 Amperes other contacts
 Dielectric Withstanding Voltage:AC 100V(RMS)
 Insulation resistance:100Megohms Minimum.
 Contact Resistance:
 30mΩ Max for pin1&pin4
 50mΩ Max for other contacts
 Mechanical Characteristics:
 Mating Force:35 Newtoms.Maximum
 Unmating Force:10 Newtoms.Minimum.
 8N Min After Durability

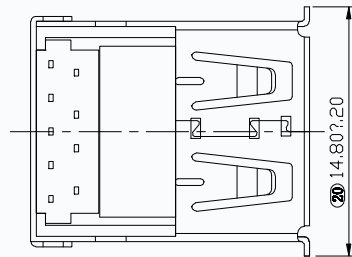
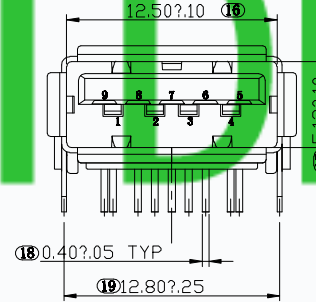
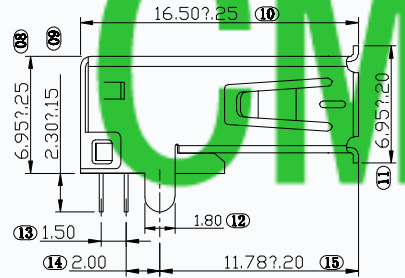
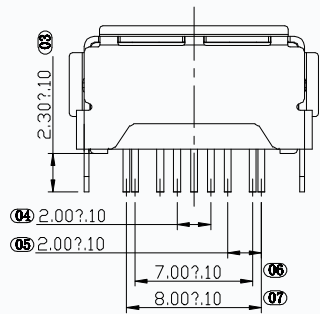
MATERIAL:
 Housing: PA9T+30%GF 94V-0 COLOR:BLUE
 Contact: copper alloy (T=0.25mm)
 Shell: Brass

PLATING:
 Contact: Au Plated on contact area
 Tin Plated on solder area
 Nickel underplating over all
 Shell: Nickel Plated

operating Temperature:-55~+85°
 "⊕" SHOWS FAI MEASUREMENT POINT.
 "△" SHOWS Modify MEASUREMENT POINT.

料号备注 R=PACK-R0022
T10-3 F 255 D XX R XX XX

12-半金厚10"	00-PART 规格书链接	R=ROHS2.0标准	B=丝号4位
13-半金厚30"		F=无卤+ROHS2.0	C=丝号4位
14-半金厚60"		H=RoHS2.0标准	
15-半金厚180"			
16-半金厚300"			



Pin Number	Signal Name
1	VBUS
2	D-
3	D+
4	GND
5	SSRX-
6	SSRX+
7	GND
8	SSTX-
9	SSTX+
Shell	Shield

东莞市田都电子有限公司

DongGuan TianDu Electronics Co.,Ltd

UNLESS OTHERWISE SPECIFIED TOLERANCES X. +/- 0.30 .X +/- 0.25 JXX +/- 0.15 FRACTIONS +/- ANGLES +/- 2.00°	APPROVAL	日期	品名 规格	USB 3.0 AF 90度DIP [卷边14.8, 无缺口, 直脚, 脚长2.3]
	制图 Michael	2017.10.24		
DIMENSIONS (METRIC) (MM)	审核		字架	工程图号: TDU-USBAF-3115
	批准		A4	版本 B0
	文件位置		比例	1 : 1 状态码 A 页数 1 OF 1
	ANGLE OF PROJECTION			

