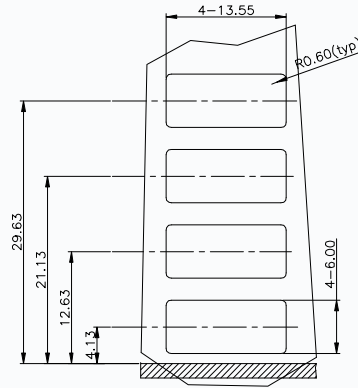
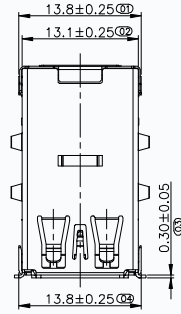
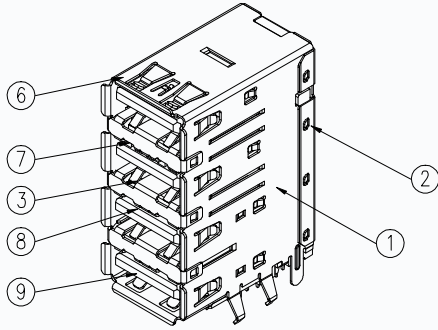


REV.	ECN NO.	DESCRIPTION	DRAW	CHECK	APPD.	DATE
A0	—	NEW DWG	LIANG.WU	BENDEE	BENDEE	16-10-28

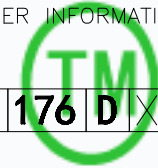


MOUNTING PANEL CUTOUT (INTERNAL SLIDE)

NOTES:

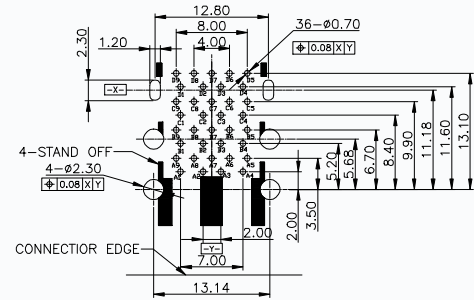
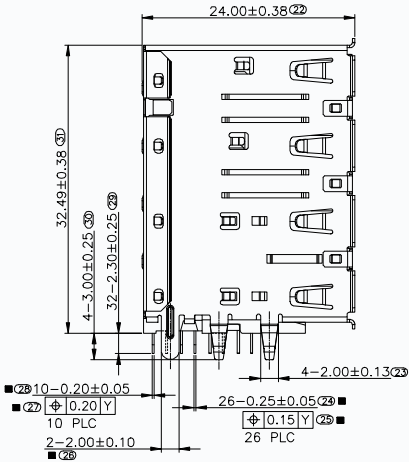
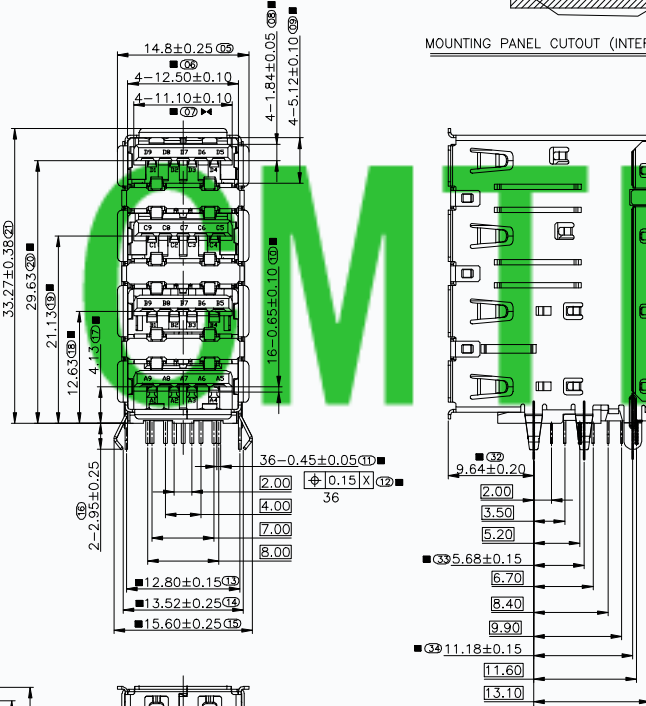
- MATERIAL:SEE TABLE ;
- FINISH:SEE TABLE ;
- MECHANICAL PERFORMANCE:
 - MATING FORCE:35N MAX.
 - UNMATING FORCE:10N MIN AFTER DURABILITY.
- WAVE SOLDER CAPABLE TO 260°C 3~5 SECOND.
- "▶" SHOWS CPK MEASUREMENT ITEMS.
- "■" SHOWS QIP MEASUREMENT ITEMS.
- "⊙" SHOWS FAI INSPECTION ITEMS.
- PART NUMBER INFORMATION:

料号备注	T	1	0	-	3	F	1	7	6	D	X	X	T	X	X	X
------	---	---	---	---	---	---	---	---	---	---	---	---	---	---	---	---

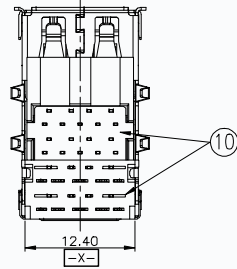


- 12-半金雾锡10"
- 13-半金雾锡30"
- 14-半金雾锡5"
- 15-半金雾锡15"
- 16-半金雾锡30"

- 01-PAGT蓝不锈钢亮粘锡
- 02-PAGT黑不锈钢亮粘锡
- R-ROHS2.0标准
- W-无卤+ROHS2.0
- H-REACH标准
- B-益雾24H
- C-益雾48H



RECOMMENDED P.C.B LAYOUT(TOP VIEW)
P.C.B THICKNESS=1.60mm.TOLERANCE:±0.05



SEE TABLE

NO.	PART	Q'TY.	MATERIAL	TREATMENT
10	SPACER	1	PA9T UL94-V0	SEE NOTE
9	4-HSG	1	PA9T UL94-V0	SEE NOTE
8	3-HSG	1	PA9T UL94-V0	SEE NOTE
7	2-HSG	1	PA9T UL94-V0	SEE NOTE
6	1-HSG	1	PA9T UL94-V0	SEE NOTE
5	USB3 CONTACT	20	BRASS	GOLD PLATED ON CONTACT AREA 100u"Min TIN(MATTE) PLATED ON SOLDER AREA
4	USB2 CONTACT	16	PHOSPHOR BRONZE	50u"Min UNDERPLATING OVER ALL
3	FINGER	3	SUS304	CLEARING ONLY
2	FRAR SHELL	1	SUS304	CLEARING ONLY
1	FRONT SHELL	1	SUS304	FEET WETTING TIN

东莞市田都电子有限公司

DongGuan TianDu Electronics Co.,Ltd

UNLESS OTHERWISE SPECIFIED TOLERANCES X. +/- .X +/- .XX +/- FRACTIONS +/- ANGLES +/-	APPROVAL	日期	品名规格	USB 3.0 AF四层90度 DIP(A款)		
	制图 LIANG.WU	2016.10.28		料号	SEE TABLE	
	METRIC 0.25 0.20 0.15	审核	文件位置	字张	工程图号:	
	2.00'	核准	ANGLE OF PROJECTION	A4	TDU-USBAF-2116	
DIMENSIONS (METRIC) (MM)			比例	1 : 1	状态码 A	页码 1 OF 1

Pin No.	D1	D2	D3	D4	D5	D6	D7	D8	D9
Pin No.	C1	C2	C3	C4	C5	C6	C7	C8	C9
Pin No.	B1	B2	B3	B4	B5	B6	B7	B8	B9
Pin No.	A1	A2	A3	A4	A5	A6	A7	A8	A9
SIGNAL NAME	VBUS	D-	D+	GND	SIGL_SSRX-	SIGL_SSRX+	GND_DRAIN	SIGL_SSTX-	SIGL_SSTX+