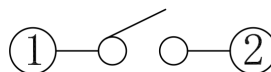
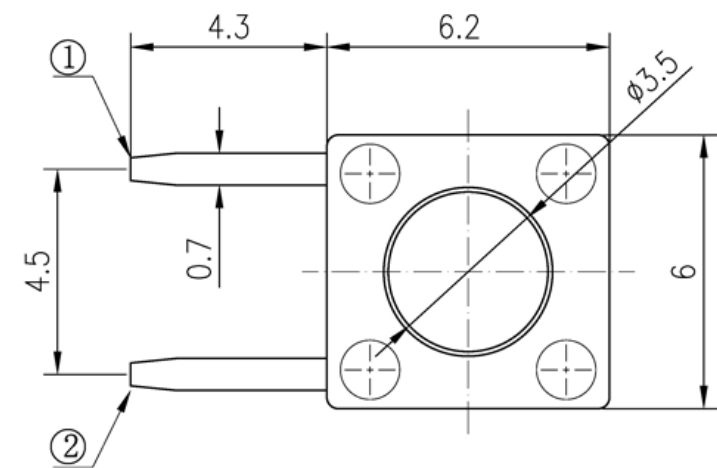
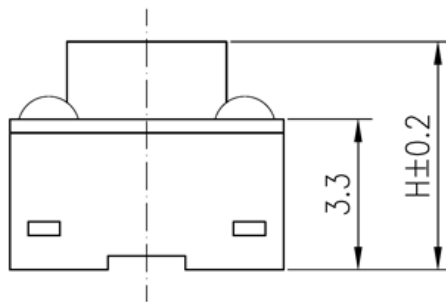
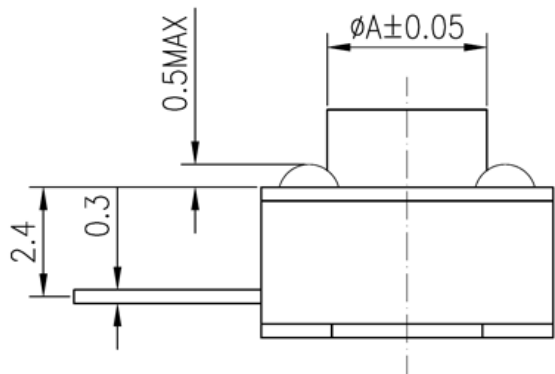
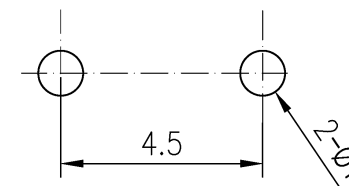


CAD FILE:



电路图

| MODEL NO. | T6-6060M-XX-H | |
|-----------|---------------|-------|
| XX | H(mm) | H(mm) |
| 10=100GF | 4.3 | 11 |
| 16=160GF | 4.5 | 11.5 |
| 26=260GF | 5.0 | 12 |
| 32=320GF | 5.5 | 12.5 |
| 52=520GF | 6.0 | 13 |
| | 6.5 | 13.5 |
| | 7.0 | 14 |
| | 7.5 | 15 |
| | 8.0 | 15.5 |
| | 8.5 | 16 |
| | 9.0 | 16.5 |
| | 9.5 | 17 |
| | 10.0 | 18 |
| | 10.5 | 19 |



PCB线路板安装图(±0.1)

| SPECIFICATIONS | |
|-----------------------|--|
| Rating | 50mA 12V DC |
| Travel | 0.25±0.1mm |
| Contact Resistance | ≤ 100 mΩ |
| Operating temperature | -20℃ ~ 70℃(45% ~ 85% RH) |
| Operating Force | 100±50/160±50/260±50/320±80/520±130gf |
| Operating Life | 50,000 Cycles for 320/520gf, 100,000 Cycles for 260gf , 200,000 Cycles for 100/160gf |

| NO. | PARTS | MATERIALS | Q'TY | FINISH |
|-----|----------|-------------|------|----------------|
| 8 | | | | |
| 7 | | | | |
| 6 | | | | |
| 5 | KNOB | NYLON | 1 | BLACK |
| 4 | COVER | NYLON | 1 | BLACK |
| 3 | TERMINAL | BRASS(0.3T) | 2 | PLATING SILVER |
| 2 | CONTACT | F.Ag/C5210 | 1 | NATURAL |
| 1 | BASE | NYLON | 1 | BLACK |

| TOLERANCE UNLESS SPECIFIED | | THESE DRAWINGS AND SPECIFICATIONS ARE THE PROPERTY OF DONGGUAN TIANDU ELECTRONICS CO.,LTD. AND SHALL NOT BE REPRODUCED, COPIED OR USED IN ANY MANNER WITHOUT THE PRIOR WRITTEN CONSENT OF DONGGUAN TIANDU ELECTRONICS CO., LTD | DESCRIPTIONS OF REVISION | | APPD. |
|----------------------------|------------|--|------------------------------|-------|-----------|
| WITHIN 1.5mm | OVER 1.5mm | | | | |
| ±0.1mm | ±0.2mm | | | | |
| TITLE : TACT SWITCH | | UNIT : mm | DRWG NO.: CMTDDZ-T6-6060M-00 | | |
| MODEL: T6-6060M-XX-H | | SCALE: 3:1 | DWN. | ERIC | 2013-6-17 |
| CMTDDZ 东莞市田都电子有限公司 | | DONGGUAN TIANDU ELECTRONICS CO.,LTD. | CHK'D | MAIKO | 2013-6-17 |
| | | | APPD. | Coco | 2013-6-17 |