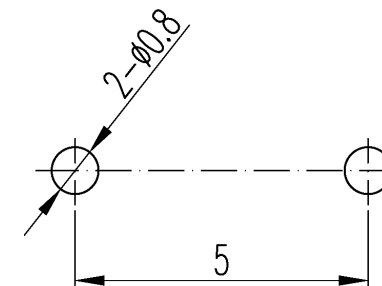
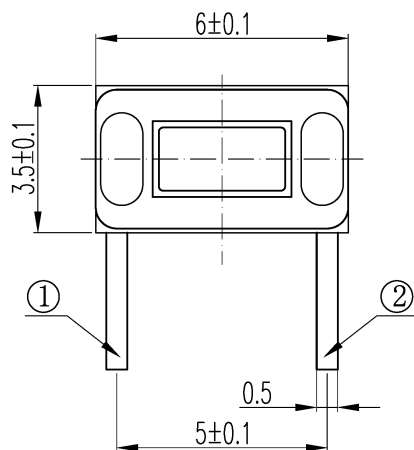
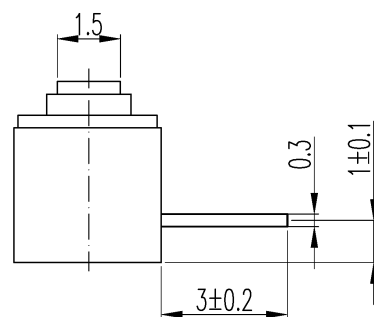
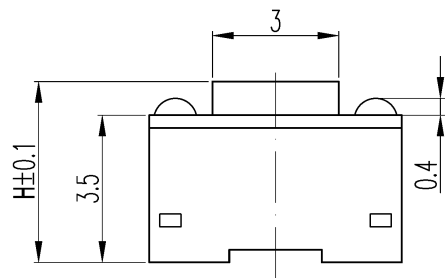
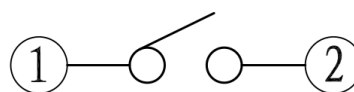


CAD FILE:

MODEL NO.	XX	H
T6-3560DM-XX-H	12=125GF	4.3MM
	16=160GF	
	26=260GF	
	32=320GF	5MM
	52=520GF	



PCB线路板安装图(±0.1)



电路图

SPECIFICATIONS	
Rating	50mA 12V DC
Travel	0.25±0.05mm
Contact Resistance	≤ 100 mΩ
Operating temperature	-20℃ ~ 70℃(45% ~ 85% RH)
Operating Force	125±50/160±50/260±50/320±80/520±130gf
Operating Life	30,000 Cycles for 260/320/520gf 50,000 Cycles for 125/160gf

NO.	PARTS	MATERIALS	Q'TY	FINISH
8				
7				
6				
5	COVER	SPCC	1	PLATING NICKEL
4	KEYSTOKE	PA46	1	BLACK/WHITE
3	TERMINAL	BRASS(0.30t)	2	PLATING SILVER
2	CONTACT	F.Ag/SUS	1	PLATING SILVER
1	BASE	PA46	1	BLACK/WHITE

TOLERANCE UNLESS SPECIFIED		THESE DRAWINGS AND SPECIFICATIONS ARE THE PROPERTY OF DONGGUAN TIANDU ELECTRONICS CO.,LTD. AND SHALL NOT BE REPRODUCED, COPIED OR USED IN ANY MANNER WITHOUT THE PRIOR WRITTEN CONSENT OF DONGGUAN TIANDU ELECTRONICS CO., LTD		DESCRIPTIONS OF REVISION		APPD.	
WITHIN 1.5mm : ±0.1mm							
OVER 1.5mm : ±0.2mm							
TITLE : TACT SWITCH			UNIT : mm	DRWG NO.: CMTDDZ-T6-3560DM-00			
MODEL: T6-3560DM-XX-H			SCALE: 3:1	DWN.	ERIC	2013-6-17	
CMTDDZ 东莞市田都电子有限公司			DONGGUAN TIANDU ELECTRONICS CO.,LTD.		CHK'D	MAIKO	2013-6-17
					APPD.	Coco	2013-6-17