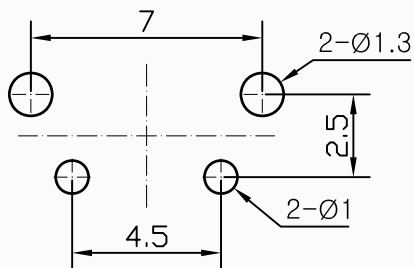
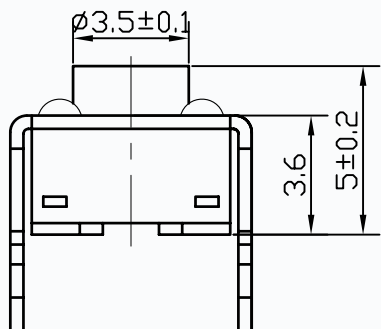
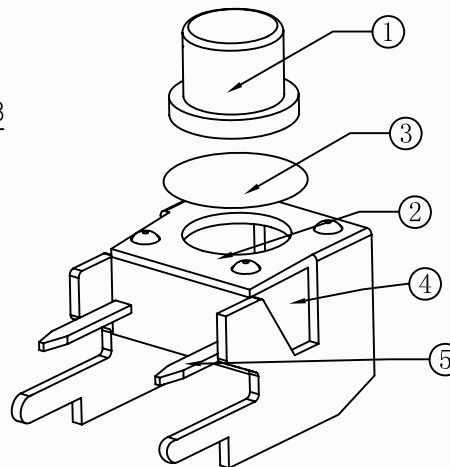




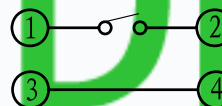
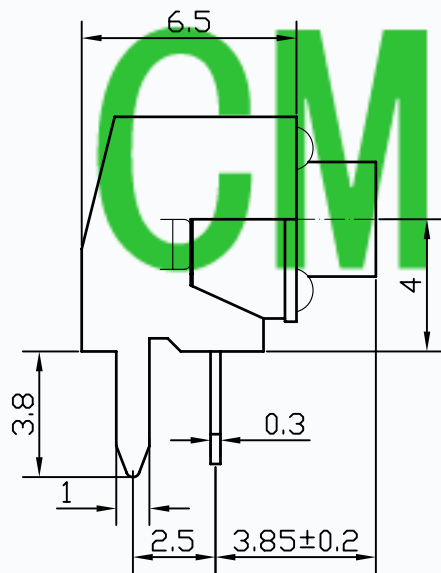
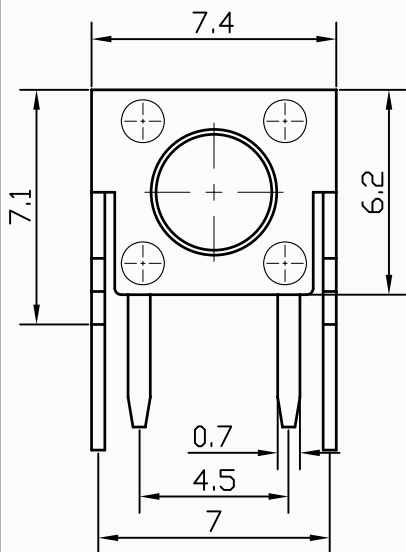
CAD FILE:



PCB线路板安装图(±0.1)



| MODEL NO. | T6-6060UM-XX-H |       |       |
|-----------|----------------|-------|-------|
| XX        | H(mm)          | L(mm) | A(mm) |
| 10=100GF  | 4.3            | 3.15  | φ3.5  |
| 16=160GF  | 5.0            | 3.85  | φ3.5  |
| 26=260GF  | 6.0            | 4.85  | φ3.3  |
| 32=320GF  | 6.5            | 5.35  | φ3.3  |
| 52=520GF  | 7.5            | 6.35  | φ3.3  |
|           | 8.5            | 7.35  | φ3.3  |
|           | 9.0            | 7.85  | φ3.3  |
|           | 11.0           | 9.85  | φ3.0  |
|           | 13.0           | 11.85 | φ3.0  |
|           | 15.0           | 13.85 | φ3.0  |



电路图

SPECIFICATIONS

|                       |  |
|-----------------------|--|
| Rating                | 50mA 12V DC  |
| Travel                | 0.25±0.1mm   |
| Contact Resistance    | ≤ 100 mΩ   |
| Operating temperature | -20℃ ~ 70℃( 45% ~ 85% RH )   |
| Operating Force       | 100±50/160±50/260±50/320±80/520±130gf  |
| Operating Life        | 50,000 Cycles for 320/520gf, 100,000 Cycles for 260gf , 200,000 Cycles for 100/160gf |

| NO. | PARTS    | MATERIALS   | Q'TY | FINISH         |
|-----|----------|-------------|------|----------------|
| 8   |          |             |      |                |
| 7   |          |             |      |                |
| 6   |          |             |      |                |
| 5   | KNOB     | PPA         | 1    | BLACK          |
| 4   | COVER    | SPCC        | 1    | NICKEL PLATING |
| 3   | TERMINAL | BRASS(0.3T) | 2    | SILVERING      |
| 2   | CONTACT  | SUS         | 1    | SILVER COVERED |
| 1   | BASE     | PPA         | 1    | BLACK          |

TOLERANCE  
UNLESS SPECIFIED  
WITHIN 1.5mm : ±0.1mm  
OVER 1.5mm : ±0.2mm

THESE DRAWINGS AND SPECIFICATIONS ARE THE PROPERTY OF DONGGUAN TIANDU ELECTRONICS CO.,LTD. AND SHALL NOT BE REPRODUCED, COPIED OR USED IN ANY MANNER WITHOUT THE PRIOR WRITTEN CONSENT OF DONGGUAN TIANDU ELECTRONICS CO., LTD

DESCRIPTIONS OF REVISION

APPD.

TITLE : TACT SWITCH

UNIT : mm

DRWG NO.: CMTDDZ-T6-6060UM-00

MODEL: T6-6060UM-XX-H

SCALE: 3:1

DWN. ERIC 2013-6-17

**CMTDDZ** 东莞市田都电子有限公司  
DONGGUAN TIANDU ELECTRONICS CO.,LTD.

CHK'D MAIKO 2013-6-17

APPD. Coco 2013-6-17