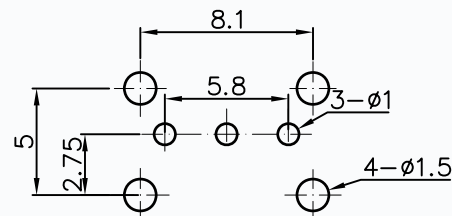
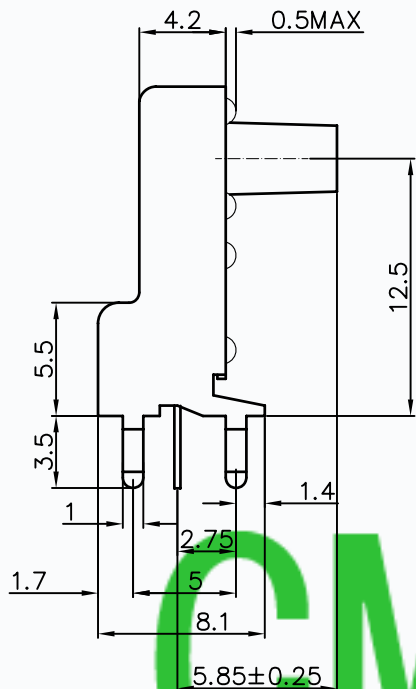
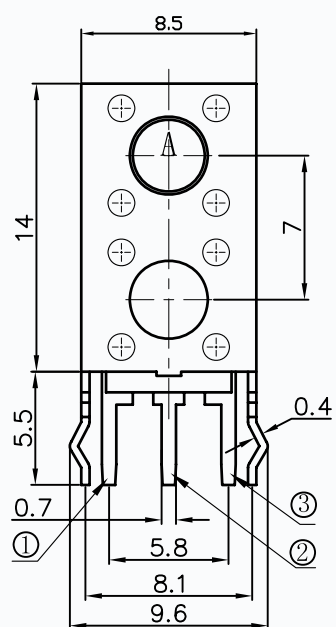
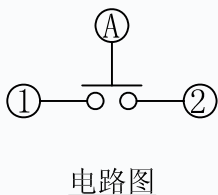
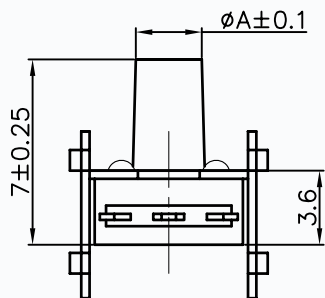


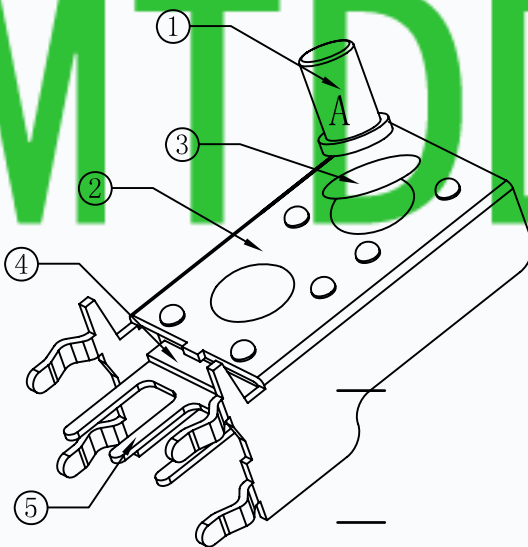
CAD FILE:



PCB线路板安装图(±0.1)



电路图



MODEL NO.	T6-6060SM-XX-AB			
	H(mm)	L(mm)	A(mm)	XX
	4.3	3.15	φ3.5	10=100GF
	5.0	3.85	φ3.5	16=160GF
	6.0	4.85	φ3.3	26=260GF
	6.5	5.35	φ3.3	32=320GF
	7.0	5.85	φ3.3	52=520GF
	8.5	7.35	φ3.2	
	9.0	7.85	φ3.2	
	9.5	8.35	φ3.1	
	13.0	11.85	φ3.0	
	15.0	13.85	φ3.0	

SPECIFICATIONS	
Rating	50mA 12V DC
Travel	0.25±0.1mm
Contact Resistance	≤ 100 mΩ
Operating temperature	-20℃ ~ 70℃(45% ~ 85% RH)
Operating Force	100±50/160±50/260±50/320±80/520±130gf
Operating Life	50,000 Cycles for 320/520gf, 100,000 Cycles for 260gf, 200,000 Cycles for 100/160gf

NO.	PARTS	MATERIALS	Q'TY	FINISH
8				
7				
6				
5	STEM	PPA	2	BLACK
4	COVER	SPCC	1	NICKEL PLATING
3	TERMINAL	BRASS(0.3T)	4	SILVERING
2	CONTACT	SUS	2	SILVER COVERED
1	BASE	PPA	1	BLACK

TOLERANCE UNLESS SPECIFIED		DESCRIPTIONS OF REVISION		APPD.
WITHIN 1.5mm	: ±0.1mm			
OVER 1.5mm	: ±0.2mm			
TITLE : TACT SWITCH		UNIT : mm	DRWG NO.: CMTDDZ-T6-6060SM-00	
MODEL: T6-6060SM-XX-H		SCALE: 3:1	DWN.	ERIC
CMTDDZ 东莞市田都电子有限公司		DONGGUAN TIANDU ELECTRONICS CO.,LTD.		2013-6-17
		APPD.	Coco	2013-6-17

THESE DRAWINGS AND SPECIFICATIONS ARE THE PROPERTY OF DONGGUAN TIANDU ELECTRONICS CO.,LTD. AND SHALL NOT BE REPRODUCED, COPIED OR USED IN ANY MANNER WITHOUT THE PRIOR WRITTEN CONSENT OF DONGGUAN TIANDU ELECTRONICS CO., LTD