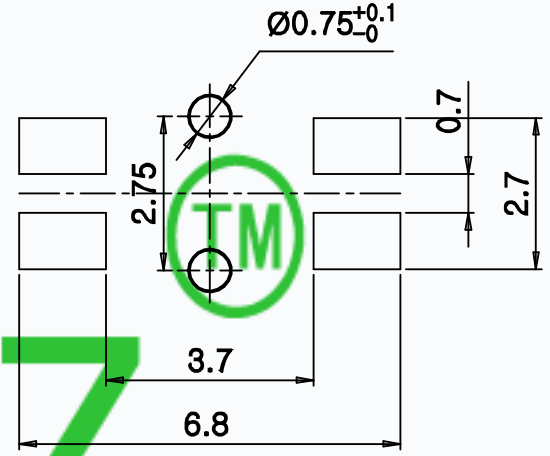
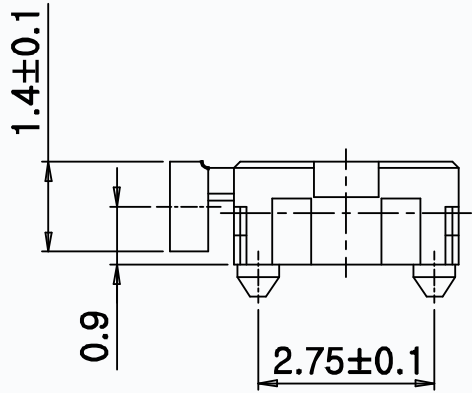
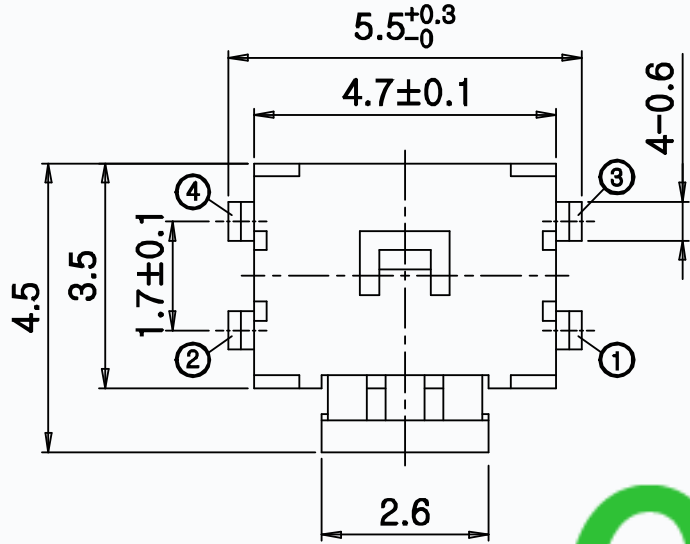
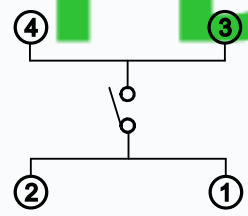
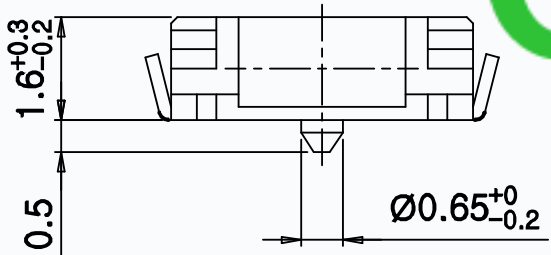


MODEL NO.	XX
T6-4547C-XX	16=160GF
	25=20GF



P.C.B. LAND PATTERN

**CMTDDZ**



CIRCUIT DIAGRAM

SPECIFICATIONS

Rating	50mA 12V DC
Travel	0.2±0.05mm
Contact Resistance	≤ 100 mΩ
Operating temperature	-20℃ ~ 70℃( 45% ~ 85% RH )
Operating Force	160±30gf/250±30gf
Operating Life	100,000 Cycles

NO.	PARTS	MATERIALS	Q'TY	FINISH
8				
7				
6	Shell	SHEET LRON	1	NATURAL
5	Dust cover	KAPTON FILM	1	YELLOW
4	Keystoke	NYLON	1	BLACK
3	Terminal	PHOSPHORUS COPPER	4	Ag-Plated
2	Contact	Stainless Steel	1	Ag-Plated
1	Base	LCP	1	self-colored

TOLERANCE UNLESS SPECIFIED		THESE DRAWINGS AND SPECIFICATIONS ARE THE PROPERTY OF DONGGUAN TIANDU ELECTRONICS CO.,LTD. AND SHALL NOT BE REPRODUCED, COPIED OR USED IN ANY MANNER WITHOUT THE PRIOR WRITTEN CONSENT OF DONGGUAN TIANDU ELECTRONICS CO., LTD		DESCRIPTIONS OF REVISION		APPD.	
WITHIN 1.5mm : ±0.1mm							
OVER 1.5mm : ±0.2mm							
TITLE : TACT SWITCH			UNIT : mm	DRWG NO.: CMTDDZ-T6-4547C-00			
MODEL: T6-4547C-XX 带柱			SCALE: 3:1	DWN.	ERIC	2013-6-17	
<b>CMTDDZ</b> 东莞市田都电子有限公司			DONGGUAN TIANDU ELECTRONICS CO.,LTD.		CHK'D	MAIKO	2013-6-17
					APPD.	Coco	2013-6-17