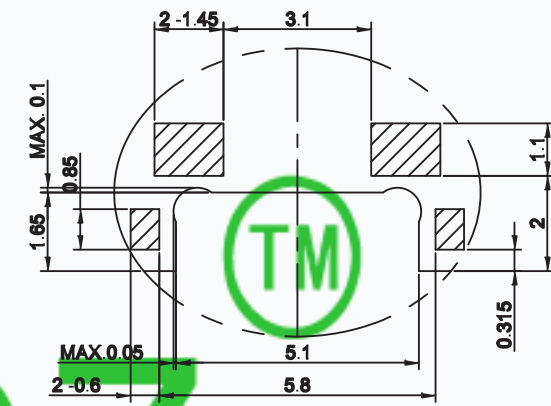
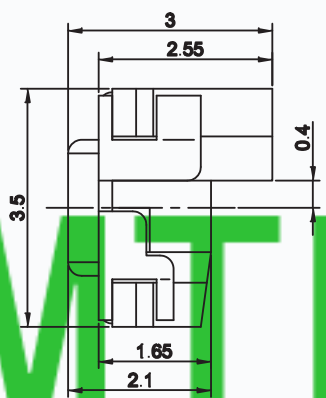
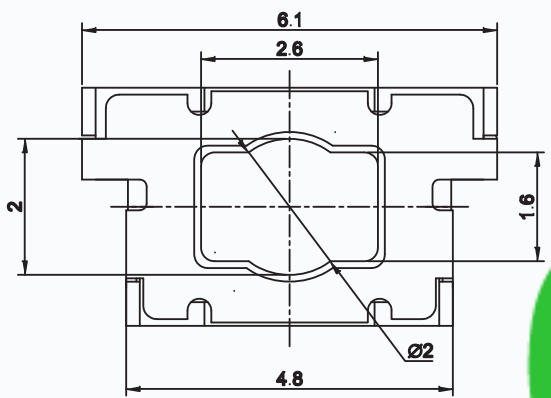
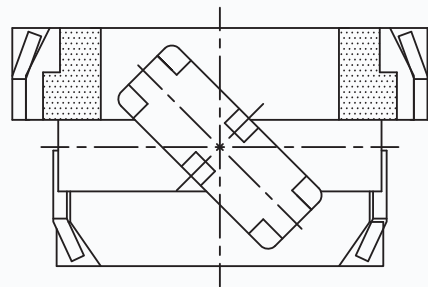
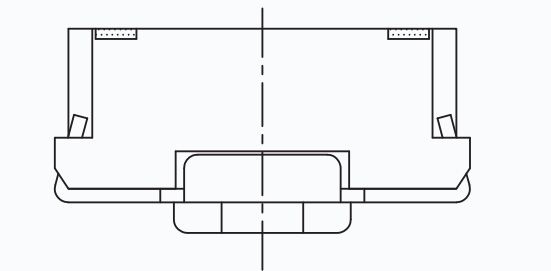


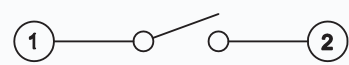
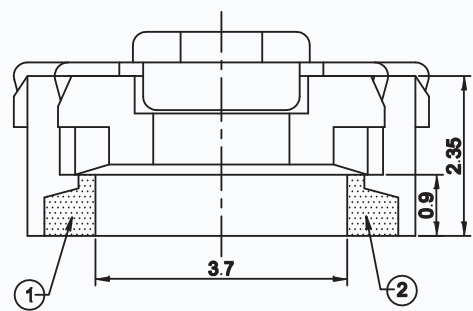
CAD FILE:

MODEL NO.	XX
T6-3562C-XX	18=180gf
	25=250gf



**CMTDDZ**

P.C.B. LAND PATTERN



CIRCUIT DIAGRAM

SPECIFICATIONS

Rating	50mA 12V DC
Travel	0.2±0.1mm
Contact Resistance	≤ 100 mΩ
Operating temperature	-20℃ ~ 70℃( 45% ~ 85% RH )
Operating Force	180±30gf/250±50gf
Operating Life	100,000 Cycles

NO.	PARTS	MATERIALS	Q'TY	FINISH
8				
7				
6	DUST COVER	KAPTON FILM	1	-----
5	COVER	SUS	1	PLATING NICKEL
4	KEYSTOKE	NYLON	1	WHITE
3	TERMINAL	PHOSPHOR BRONZE	2	PLATING SILVER
2	CONTACT	F.Ag/SUS	1	-----
1	BASE	LCP	1	BLACK

TOLERANCE UNLESS SPECIFIED		THESE DRAWINGS AND SPECIFICATIONS ARE THE PROPERTY OF DONGGUAN TIANDU ELECTRONICS CO.,LTD. AND SHALL NOT BE REPRODUCED, COPIED OR USED IN ANY MANNER WITHOUT THE PRIOR WRITTEN CONSENT OF DONGGUAN TIANDU ELECTRONICS CO., LTD		DESCRIPTIONS OF REVISION		APPD.
WITHIN 1.5mm : ±0.1mm OVER 1.5mm : ±0.2mm						
TITLE : TACT SWITCH			UNIT : mm	DRWG NO.: CMTDDZ-T6-3562C-00		
MODEL: T6-3562C-XX			SCALE: 3:1	DWN.	ERIC	2013-6-17
<b>CMTDDZ</b> 东莞市田都电子有限公司 DONGGUAN TIANDU ELECTRONICS CO.,LTD.			CHK'D		MAIKO	2013-6-17
			APPD.		Coco	2013-6-17