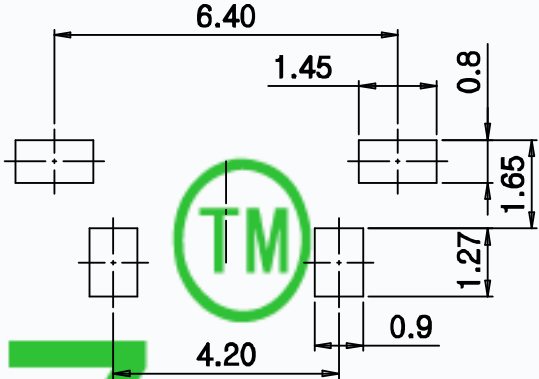
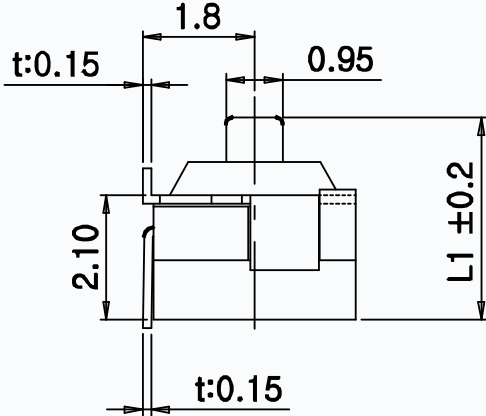
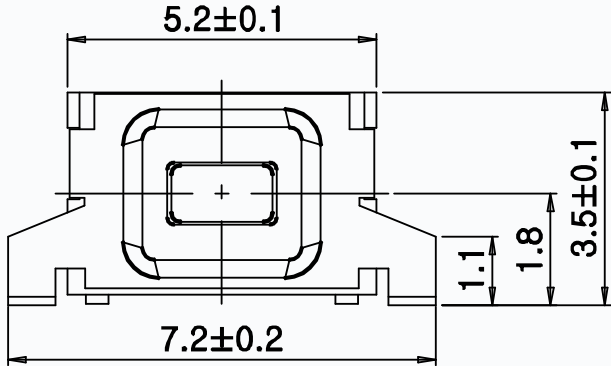
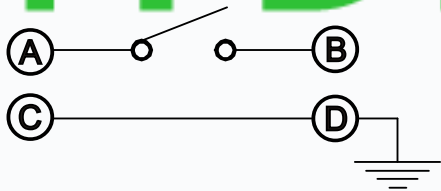
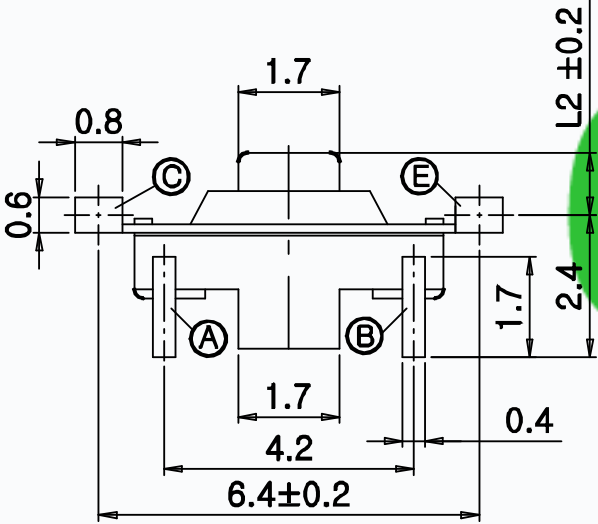


MODEL NO.	L1	XX
T6-3552C-L1-XX	3.3mm	18=180gf
	3.75mm	25=250gf



CMTDDZ

P.C.B. LAND PATTERN



CIRCUIT DIAGRAM

SPECIFICATIONS

Rating	50mA 12V DC
Travel	0.15±0.1mm
Contact Resistance	≤ 100 mΩ
Operating temperature	-20℃ ~ 70℃(45% ~ 85% RH)
Operating Force	160±50gf/250±50gf
Operating Life	50,000 Cycles

NO.	PARTS	MATERIALS	Q'TY	FINISH
8				
7				
6	DUST COVER	KAPTON FILM	1	-----
5	COVER	SUS	1	PLATING NICKEL
4	KEYSTOKE	NYLON	1	WHITE
3	TERMINAL	PHOSPHOR BRONZE	2	PLATING SILVER
2	CONTACT	F.Ag/SUS	1	-----
1	BASE	LCP	1	BLACK

TOLERANCE UNLESS SPECIFIED
 WITHIN 1.5mm : ±0.1mm
 OVER 1.5mm : ±0.2mm

THESE DRAWINGS AND SPECIFICATIONS ARE THE PROPERTY OF DONGGUAN TIANDU ELECTRONICS CO.,LTD. AND SHALL NOT BE REPRODUCED, COPIED OR USED IN ANY MANNER WITHOUT THE PRIOR WRITTEN CONSENT OF DONGGUAN TIANDU ELECTRONICS CO., LTD

DESCRIPTIONS OF REVISION APPD.

TITLE : TACT SWITCH UNIT : mm DRWG NO.: CMTDDZ-T6-3552C-00

MODEL: T6-3552C-L1-XX SCALE: 3:1 DWN. ERIC 2013-6-17

CMTDDZ 东莞市田都电子有限公司 DONGGUAN TIANDU ELECTRONICS CO.,LTD. CHK'D MAIKO 2013-6-17

APPD. Coco 2013-6-17