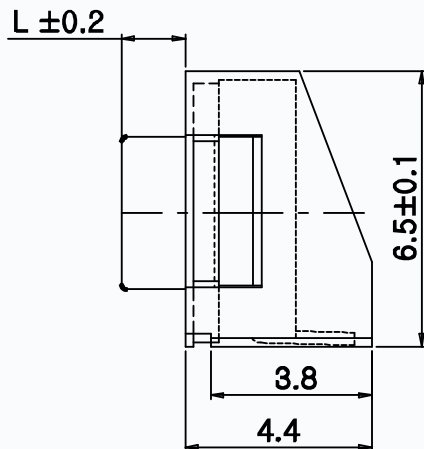
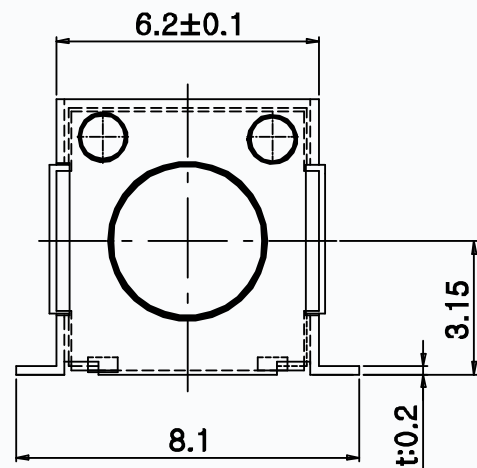
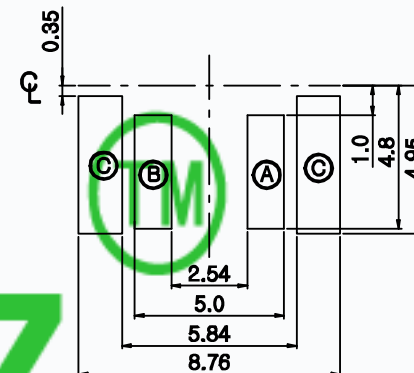


CAD FILE:

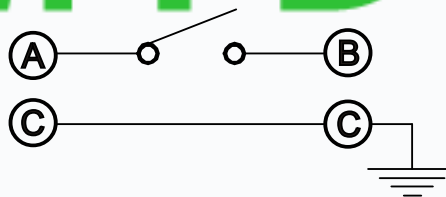
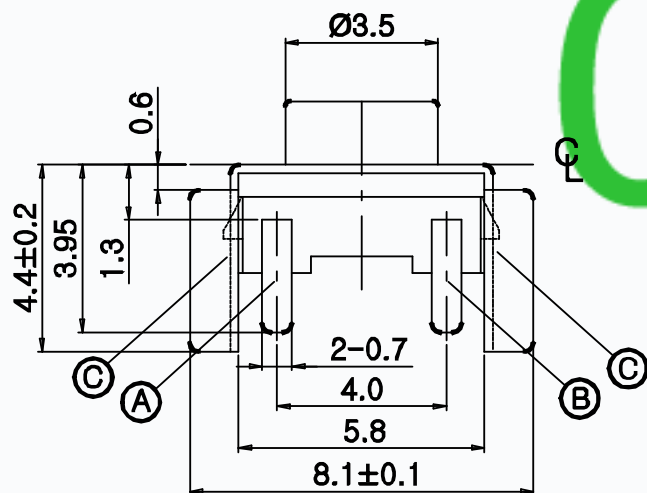


MODEL NO.	T6-6060BC-XX-H	
XX	H(mm)	H(mm)
18=180GF	4.3	6.5
25=250GF	4.5	7.0
	5.0	7.5
	5.5	8.0
	6.0	



CMTDDZ

P.C.B. LAND PATTERN



CIRCUIT DIAGRAM

SPECIFICATIONS

Rating	50mA 12V DC
Travel	0.4±0.2mm
Contact Resistance	≤ 100 mΩ
Operating temperature	-20℃ ~ 70℃(45% ~ 85% RH)
Operating Force	180±30gf/250±50gf
Operating Life	100,000 Cycles

NO.	PARTS	MATERIALS	Q'TY	FINISH	TOLERANCE UNLESS SPECIFIED WITHIN 1.5mm : ±0.1mm OVER 1.5mm : ±0.2mm	THESE DRAWINGS AND SPECIFICATIONS ARE THE PROPERTY OF DONGGUAN TIANDU ELECTRONICS CO.,LTD. AND SHALL NOT BE REPRODUCED, COPIED OR USED IN ANY MANNER WITHOUT THE PRIOR WRITTEN CONSENT OF DONGGUAN TIANDU ELECTRONICS CO., LTD	DESCRIPTIONS OF REVISION	APPD.	
8									
7									
6									
5	KEYSTOKE	PPA	1	BLACK					
4	COVER	SPCC	1	-----					
3	TERMINAL	BRASS(0.3T)	2	PLATING SILVER					
2	CONTACT	F.Ag/SUS	1	-----					
1	BASE	PPA	1	BLACK					
					TITLE : TACT SWITCH	UNIT : mm	DRWG NO.: CMTDDZ-T6-6060BC-00		
					MODEL: T6-6060BC-XX-H	SCALE: 3:1	DWN.	ERIC	2013-6-17
					CMTDDZ 东莞市田都电子有限公司 DONGGUAN TIANDU ELECTRONICS CO.,LTD.	CHK'D	MAIKO	2013-6-17	
						APPD.	Coco	2013-6-17	