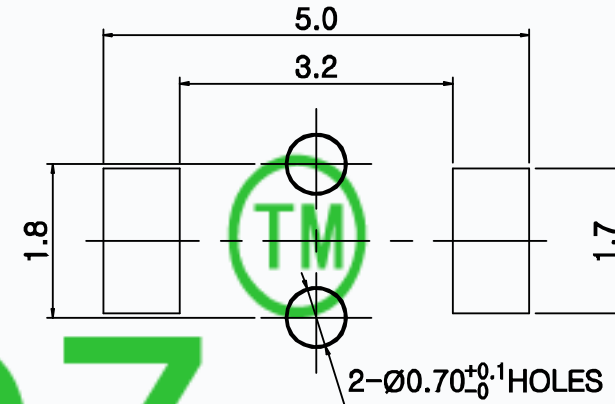
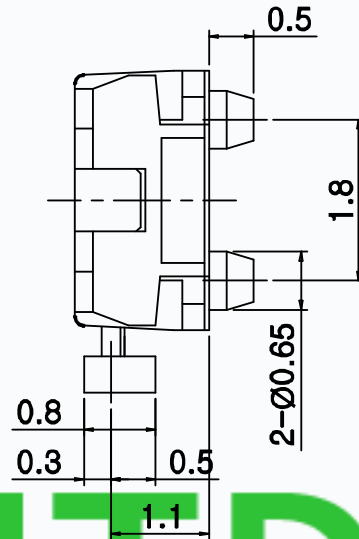
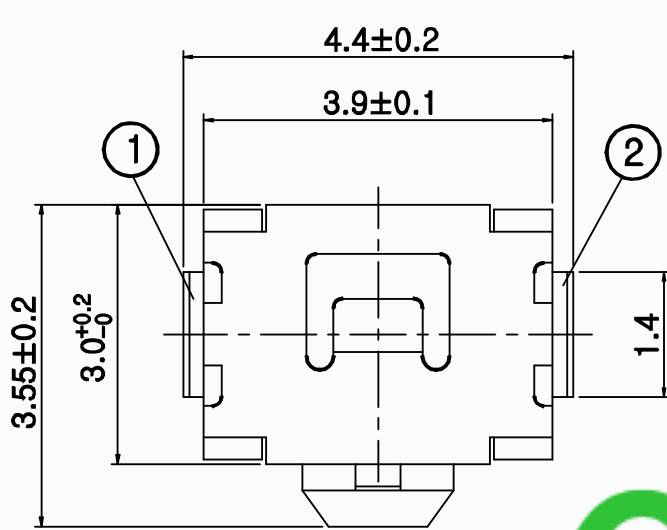
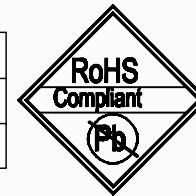
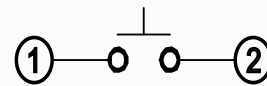
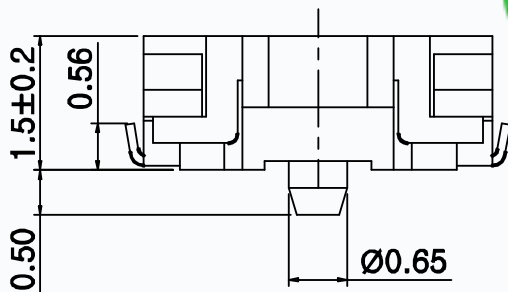


MODEL NO.	XX
T6-3639AC-XX	16=160GF
	25=20GF



# CMTDDZ

P.C.B. LAND PATTERN



CIRCUIT DIAGRAM

### SPECIFICATIONS

Rating	50mA 12V DC
Travel	0.2±0.1mm
Contact Resistance	≤ 100 mΩ
Operating temperature	-20℃ ~ 70℃( 45% ~ 85% RH )
Operating Force	160±30gf/250±30gf
Operating Life	50,000 Cycles

NO.	PARTS	MATERIALS	Q'TY	FINISH
8				
7				
6	Cover	SUS	1	Ag Plated
5	Dust cover	PI Film	1	Yellow
4	Stem	PA	1	Black
3	Terminal	Phosphor Bronze	2	Ag Plated
2	Contact	SUS	2	Ag Clad
1	Case	PA6T	1	Black

TOLERANCE UNLESS SPECIFIED		THESE DRAWINGS AND SPECIFICATIONS ARE THE PROPERTY OF DONGGUAN TIANDU ELECTRONICS CO.,LTD. AND SHALL NOT BE REPRODUCED, COPIED OR USED IN ANY MANNER WITHOUT THE PRIOR WRITTEN CONSENT OF DONGGUAN TIANDU ELECTRONICS CO., LTD		DESCRIPTIONS OF REVISION		APPD.	
WITHIN 1.5mm : ±0.1mm							
OVER 1.5mm : ±0.2mm							
TITLE : TACT SWITCH			UNIT : mm	DRWG NO.: CMTDDZ-T6-3639AC-00			
MODEL: T6-3639AC-XX 带柱 U型脚			SCALE: 3:1	DWN.	ERIC	2013-6-17	
CMTDDZ 东莞市田都电子有限公司			CHK'D			MAIKO	2013-6-17
			APPD.			Coco	