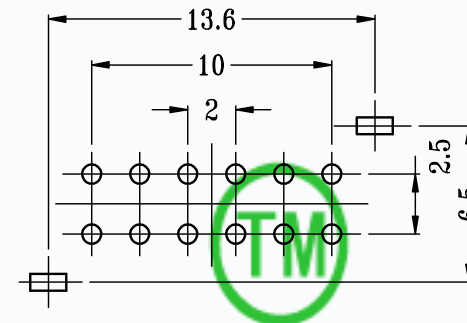
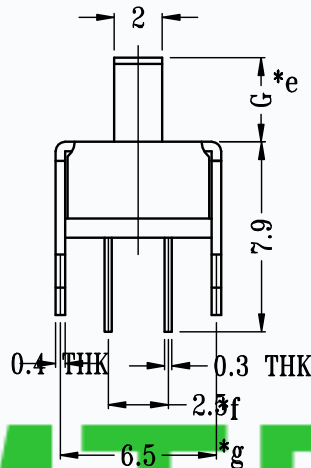
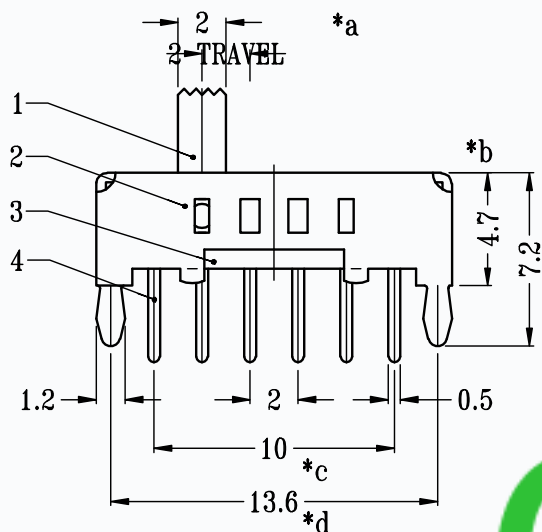




CAD FILE:

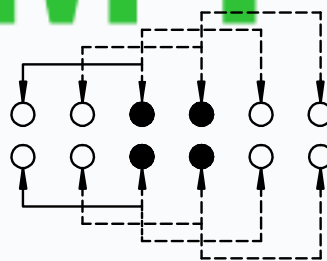
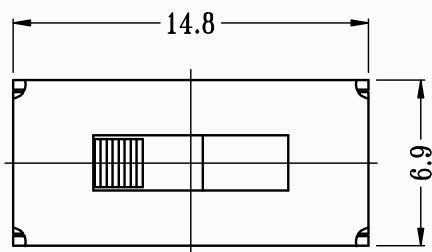


MODEL NO.	KNOB(G/VG)
T2-242002-G	(2~9)mm



P.C.B LAYOUT
BOTTOM VIEW

CMTDDZ



SCHEMATIC (SHORTING)

SPECIFICATIONS

Rating	0.3A 50V DC
CIRCUIT	2P4T
Timing	SHORTING
Travel	2.0mm
Contact Resistance	< 100 mΩ
Operating Force	250gf ± 100gf
Operating Life	10,000 cycles

8				
7				
6	SPRING PLATE	PBS STRIP	2	NATURAL
5	CONTACT CLIP	PBS STRIP	2	Ag PLATED
4	TERMINAL	BRASS STRIP	12	Ag PLATED
3	BASE	PHENOLIC RESIN	1	NATURAL
2	FRAME	STEEL STRIP	1	NI PLATED
1	KNOB	POM	1	BLACK
NO.	PARTS	MATERIALS	Q'TY	FINISH

**TOLERANCE
UNLESS SPECIFIED**
 WITHIN 1.5mm : ±0.1mm
 OVER 1.5mm : ±0.2mm

THESE DRAWINGS AND SPECIFICATIONS
 ARE THE PROPERTY OF DONGGUAN
 TIANDU ELECTRONICS CO.,LTD. AND
 SHALL NOT BE REPRODUCED, COPIED
 OR USED IN ANY MANNER WITHOUT
 THE PRIOR WRITTEN CONSENT OF
 DONGGUAN TIANDU ELECTRONICS CO., LTD

DESCRIPTIONS OF REVISION APPD.

TITLE : VERTICAL SLIDE SWITCH		UNIT : mm	DRWG NO.: CMTDDZ-T2-242002-00		
MODEL: T2-242002-G		SCALE: 3:1	DWN.	ERIC	2013-6-17
CMTDDZ 东莞市田都电子有限公司 DONGGUAN TIANDU ELECTRONICS CO.,LTD.			CHK'D	MAIKO	2013-6-17
			APPD.	Coco	2013-6-17