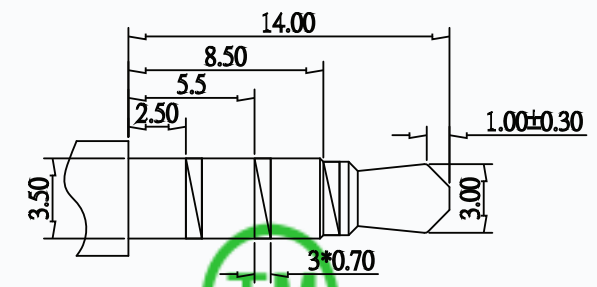
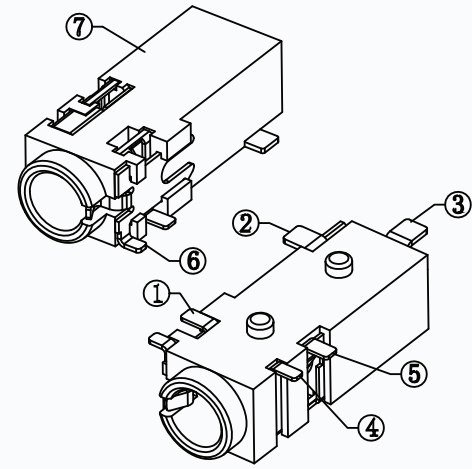
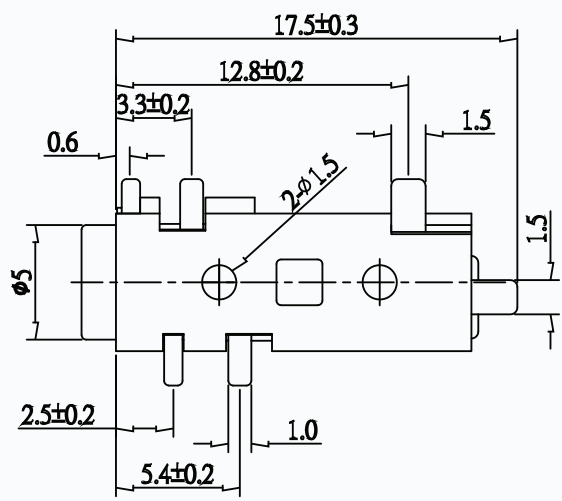
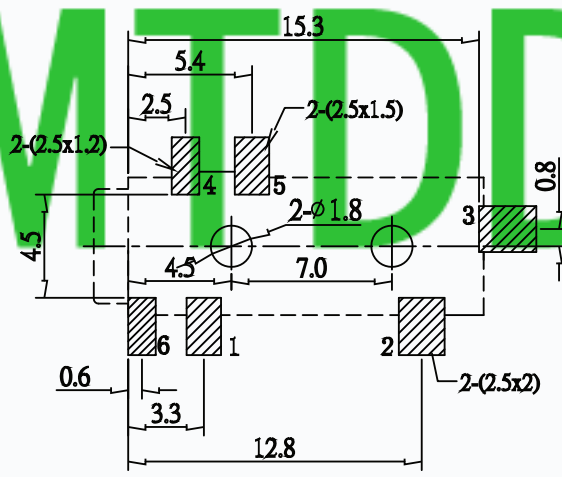
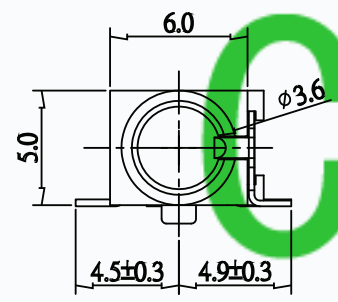


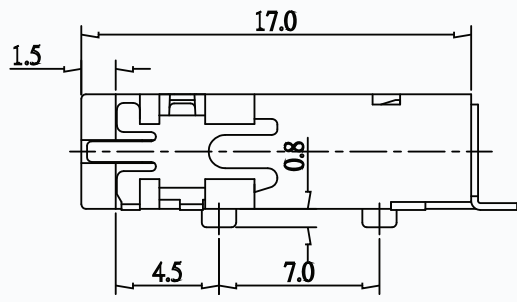
REVISIONS						
REV.	ECN NO	DESCRIPTION	DATE	DRAWN	CHECKED	APPROVED
A		NEW RELEASE	6/27/09'	R.SU		



(ø3.50mm 4 POLE PLUG DETAIL DRAWING)



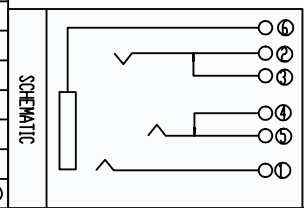
P.C.B LAYOUT (TOP VIEW)



NOTES :

- 1.0. RATING : DC30V 1.0A
- 1.1. VOTAGE : 12 VAC (R.M.S.)
- 1.2. CURRENT : 1 AMPERE MAXIMUM PER CONTACT AT 30°C T-RISE
- 1.3. TEMPERATURE : -20°C TO +70°C
- 2.0. ELECTRICAL CHARACTERISTIC :
 - 2.1. CONTACT RESISTANCE : 50 MILLIOHMS MAXIMUM INITIAL
 - 2.2. INSULATION RESISTANCE : 100 MEGOHMS MINIMUM
 - 2.3. DIELECTIC WITHSTANDING VOLTAGE : 500 VAC AT SEA LEVEL
- 3.0. MATERIALS :
 - 3.1. CONTACT : COPPER ALLOY
 - 3.2. HOUSING : THERMOPLASTIC, GLASS FILLED, 130°C, UL 94V-0 RATED
- 4.0. MECHANICAL :
 - 4.1. INSERTION FORCE(PER CONTACT): 300~3000 GRAMS
 - 4.2. WITHDRAWAL FORCE(PER CONTACT): 300~3000 GRAMS
 - 4.3. DURABILITY ,MINIMUM: MATED 5000 TIMES WITHOUT DEGRADING ELECTRICAL CHARACTERISTICS
 - 4.4. CONTACT FORCE, MINIMUM: 80 GRAMS
- 5.0. OTHER:
 - 5.1. THE MARK OF "▼"SHOULD BE INSPECTED

NO.	Part Name	QTY	Description	Plated/Color	Note
1	TERMINAL 1	1	Be-Cu	Plated Ag	
2	TERMINAL 2	1	PHOSPHOR BRONZE	Plated Ag	
3	TERMINAL 3	1	BRASS	Plated Ag	
4	TERMINAL 4	1	PHOSPHOR BRONZE	Plated Ag	
5	TERMINAL 5	1	Be-Cu	Plated Ag	
6	TERMINAL 6	1	PHOSPHOR BRONZE	Plated Ag	
7	HOUSING	1	PA9T PA9T+40%GF	Color: BLACK (UL-94V-0)	



UNLESS OTHERWISE SPECIFIED TOLERANCES	
GENERAL	.XX ±0.15
ANGULAR	.XX±3.0°
I-P (INTERSECTION POINT)	
Q-P (QUADRANT POINT)	
T-P (TANGENCY POINT)	
SCALE	4 : 1
SHEET	1 OF 1
UNIT	MM

东莞市田都电子有限公司

DONGGUAN TIANDU ELECTRONIC CO.,LTD

DRAWN	RUBEN	DATE	6/27/09'	TITLE	ø3.5mm PHONE JACK 4 POLE SMT TYPE
DESIGN		DATE		ASSY DRAWING	
CHECKED		DATE		PART NO.	T13-35308S
APPROVED		DATE		DWG NO.	T13-35308S-5.0H
CUSTOMER DRAWING				SIZE.	A4
				REV.	A