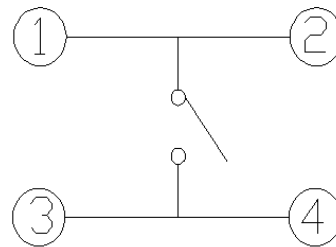
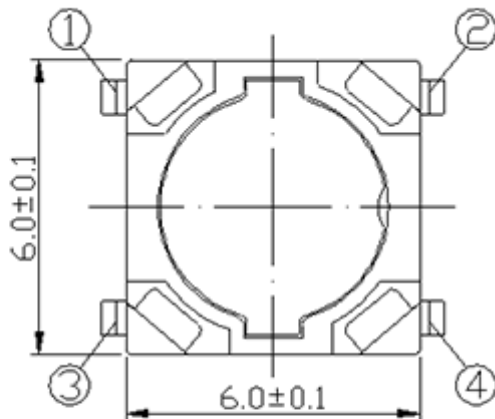
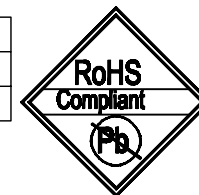
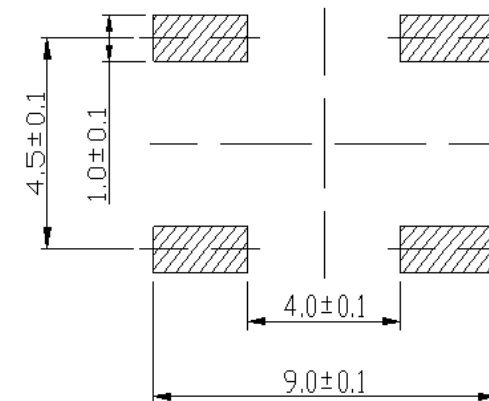


CAD FILE:

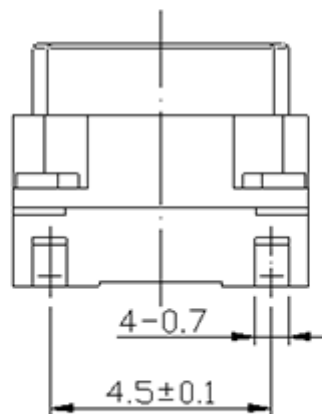
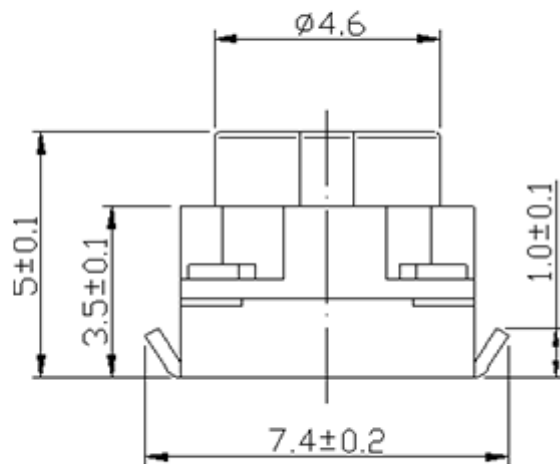
MODEL NO.	XX
T6-6060GS-XX	20=200GF
	35=350GF



CIRCUIT DIAGRAM



P.C.B LAND DIMENSION



SPECIFICATIONS

Rating	50mA 12V DC
Travel	1.3±0.3mm
Contact Resistance	≤ 100 mΩ
Operating temperature	-20℃ ~ 70℃ (45% ~ 85% RH)
Operating Force	200±30gf/350±50gf
Operating Life	100,000 Cycles for 200gf. 30,000 Cycles for 350gf
Ip Rating	IP66

8				
7				
6	COVER	LCP	1	GRAY
5	BUTTON	NYLON	1	WHITE
4	RUBBER MAT	SILICA GEL	1	BLACK
3	TERMINAL	PHOSPHOR BRONZE	4	SILVERING
2	REED	SUS	1	SILVER COVERED
1	BASE	LCP	1	BLACK
NO.	PARTS	MATERIALS	Q'TY	FINISH

TOLERANCE
UNLESS SPECIFIED
WITHIN 1.5mm : ±0.1mm
OVER 1.5mm : ±0.2mm

THESE DRAWINGS AND SPECIFICATIONS ARE THE PROPERTY OF DONGGUAN TIANDU ELECTRONICS CO.,LTD. AND SHALL NOT BE REPRODUCED, COPIED OR USED IN ANY MANNER WITHOUT THE PRIOR WRITTEN CONSENT OF DONGGUAN TIANDU ELECTRONICS CO., LTD

DESCRIPTIONS OF REVISION APPD.

TITLE : WATERPROOF SWITCH		UNIT : mm	DRWG NO.: CMTDDZ-T6-6262AS-00		
MODEL: T6-6060GS-XX-H		SCALE: 3:1	DWN.	ERIC	2013-6-17
CMTDDZ	东莞市田都电子有限公司 DONGGUAN TIANDU ELECTRONICS CO.,LTD.		CHK'D	MAIKO	2013-6-17
			APPD.	Coco	2013-6-17