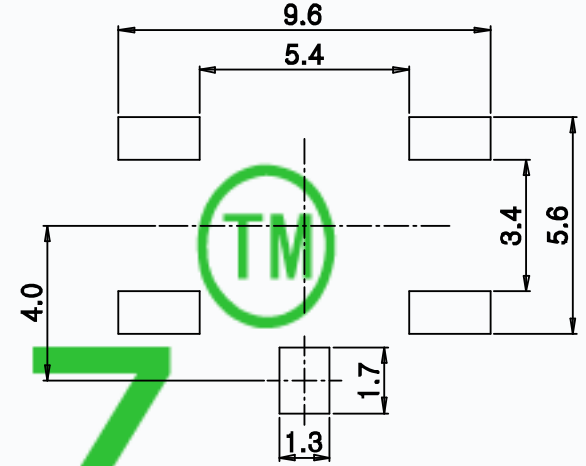
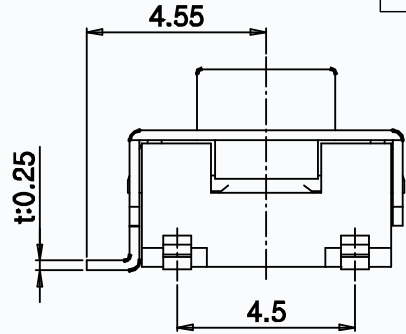
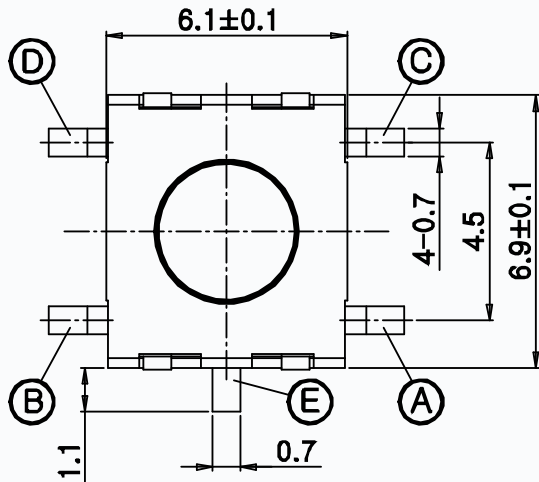
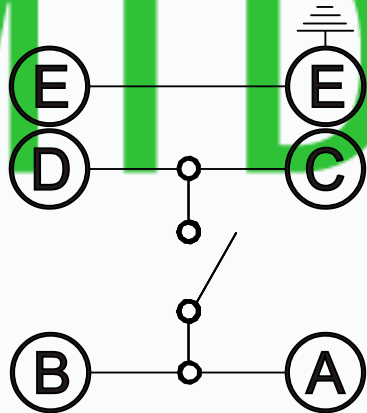
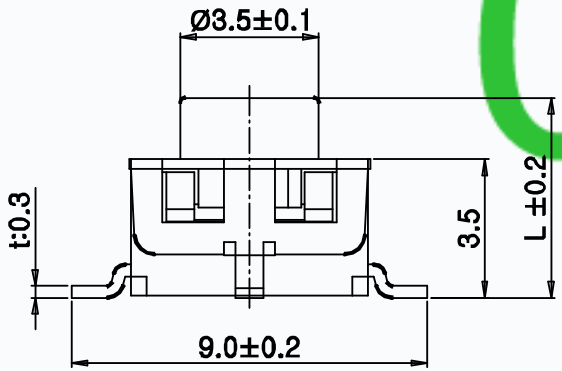


CAD FILE:

MODEL NO.	XX	H(MM)
T6-6169AS-XX-H	20=200GF	4.3
	25=250GF	5.0
		6.0



P.C.B. LAND PATTERN



CIRCUIT DIAGRAM

SPECIFICATIONS

Rating	50mA 12V DC
Travel	0.25±0.1mm
Contact Resistance	≤ 100 mΩ
Operating temperature	-20℃ ~ 70℃ (45% ~ 85% RH)
Operating Force	200±50gf/250±50gf
Operating Life	100,000 Cycles

NO.	PARTS	MATERIALS	Q'TY	FINISH
8				
7				
6				
5	KNOB	PA46	1	WHITE
4	COVER	SPCC	1	PLATING SN
3	TERMINAL	COPPER	4	PLATING SILVER
2	CONTACT	F.Ag/C5210	1	---
1	BASE	PA46	1	BLACK

TOLERANCE UNLESS SPECIFIED		THESE DRAWINGS AND SPECIFICATIONS ARE THE PROPERTY OF DONGGUAN TIANDU ELECTRONICS CO.,LTD. AND SHALL NOT BE REPRODUCED, COPIED OR USED IN ANY MANNER WITHOUT THE PRIOR WRITTEN CONSENT OF DONGGUAN TIANDU ELECTRONICS CO., LTD		DESCRIPTIONS OF REVISION		APPD.
WITHIN 1.5mm : ±0.1mm OVER 1.5mm : ±0.2mm				TITLE : TACT SWITCH		UNIT : mm
		MODEL: T6-6169AS-XX-H		SCALE: 3:1	DWN.	ERIC
		CMTDDZ 东莞市田都电子有限公司 DONGGUAN TIANDU ELECTRONICS CO.,LTD.			CHK'D	MAIKO
					APPD.	Coco