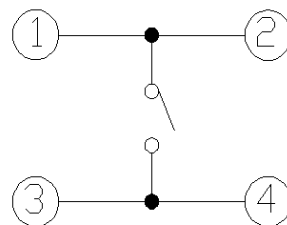
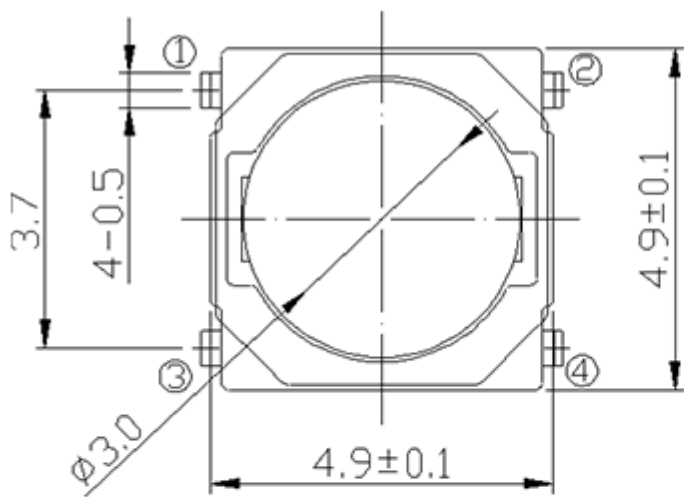
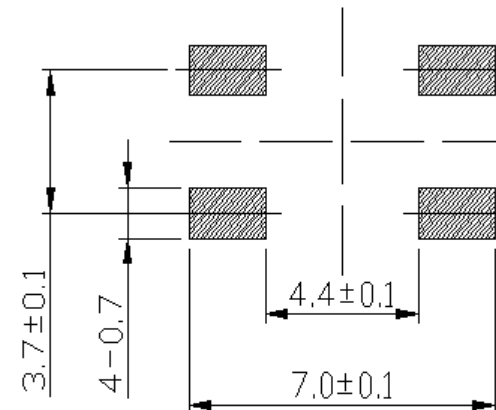
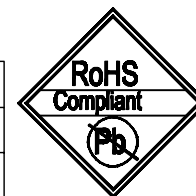


CAD FILE:

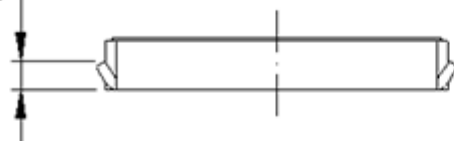


CIRCUIT DIAGRAM

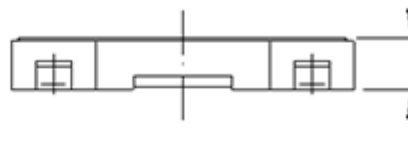
MODEL NO.	XX
T6-4848AS-XX	16=160GF
	25=250GF



P.C.B LAND DIMENSION

0.45⁰_{-0.05}

0.80±0.05



SPECIFICATIONS

Rating	50mA 12V DC
Travel	0.25±0.1mm
Contact Resistance	≤ 100 mΩ
Operating temperature	-20℃ ~ 70℃(45% ~ 85% RH)
Operating Force	160±50gf/250±60gf
Operating Life	50,000 Cycles for 235gf 100000 Cycles for 160gf

8				
7				
6				
5				
4	DUST COVER	KAPTON FILM	1	YELLOW
3	TERMINAL	PHOSPHOR BRONZE	4	PLATING SILVER
2	CONTACT	F.Ag/SUS	1	PLATING SILVER
1	BASE	LCP	1	BLACK
NO.	PARTS	MATERIALS	Q'TY	FINISH

TOLERANCE
UNLESS SPECIFIED
WITHIN 1.5mm : ±0.1mm
OVER 1.5mm : ±0.2mm

THESE DRAWINGS AND SPECIFICATIONS
ARE THE PROPERTY OF DONGGUAN
TIANDU ELECTRONICS CO.,LTD. AND
SHALL NOT BE REPRODUCED, COPIED
OR USED IN ANY MANNER WITHOUT
THE PRIOR WRITTEN CONSENT OF
DONGGUAN TIANDU ELECTRONICS CO., LTD

DESCRIPTIONS OF REVISION

APPD.

TITLE : TACT SWITCH

UNIT : mm

DRWG NO.: CMTDDZ-T6-4848AS-00

MODEL: T6-4848AS-XX

SCALE: 3:1

DWN. ERIC 2013-6-17

CMTDDZ 东莞市田都电子有限公司
DONGGUAN TIANDU ELECTRONICS CO.,LTD.

CHK'D MAIKO 2013-6-17

APPD. Coco 2013-6-17