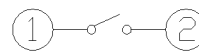
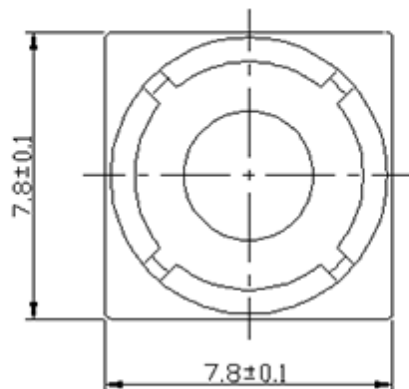
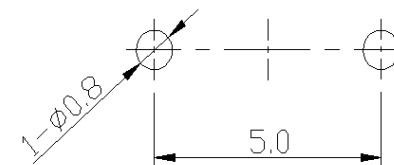
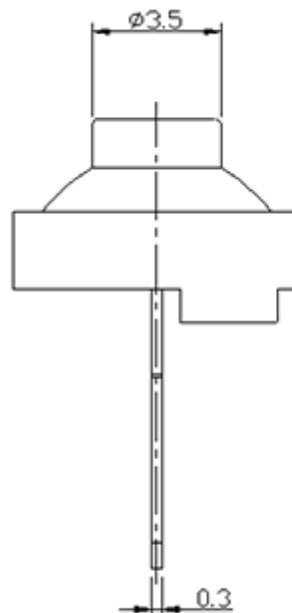
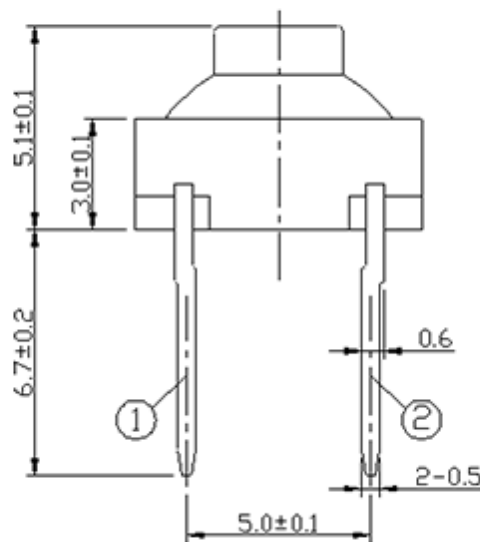


CAD FILE:

MODEL NO.	XX
T6-7878D-XX	10=100GF
	16=160GF
	25=250GF



CIRCUIT DIAGRAM



P.C.B LAND DIMENSION

## SPECIFICATIONS

Rating	50mA 12V DC
Travel	1.2±0.1mm
Contact Resistance	≤ 100 mΩ
Operating temperature	-20℃ ~ 70℃( 45% ~ 85% RH )
Operating Force	100±30gf/160±30gf/250±50gf
Operating Life	100,000 Cycles
I <sub>p</sub> Rating	IPX5

8					<b>TOLERANCE UNLESS SPECIFIED</b> WITHIN 1.5mm : ±0.1mm OVER 1.5mm : ±0.2mm	THESE DRAWINGS AND SPECIFICATIONS ARE THE PROPERTY OF DONGGUAN TIANDU ELECTRONICS CO.,LTD. AND SHALL NOT BE REPRODUCED, COPIED OR USED IN ANY MANNER WITHOUT THE PRIOR WRITTEN CONSENT OF DONGGUAN TIANDU ELECTRONICS CO., LTD	DESCRIPTIONS OF REVISION			APPD.	
7											
6											
5											
4											
3	TERMINAL	BRASS	2	SILVERING	TITLE : WATERPROOF SWITCH		UNIT : mm	DRWG NO.: CMTDDZ-T6-7878D-00			
2	BUTTON	SILICA GEL	1	-----	MODEL: T6-7878D-XX		SCALE: 3:1	DWN.	ERIC	2013-6-17	
1	BASE	PA66	1	BLACK	<b>CMTDDZ 东莞市田都电子有限公司</b> DONGGUAN TIANDU ELECTRONICS CO.,LTD.		CHK'D	MAIKO	2013-6-17		
NO.	PARTS	MATERIALS	Q'TY	FINISH			APPD.	Coco	2013-6-17		