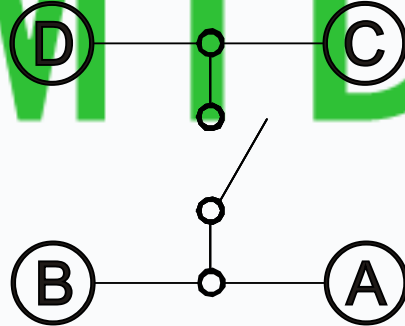
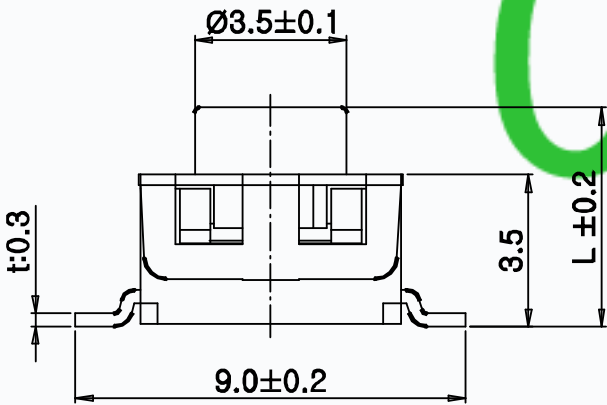
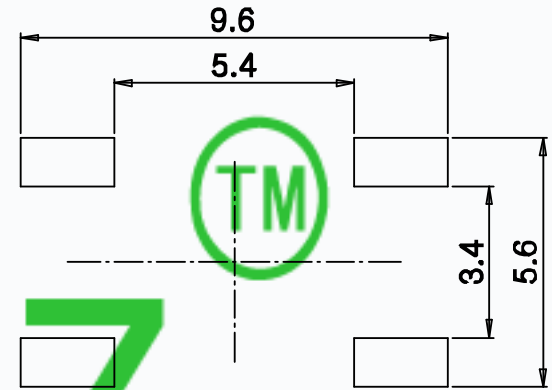
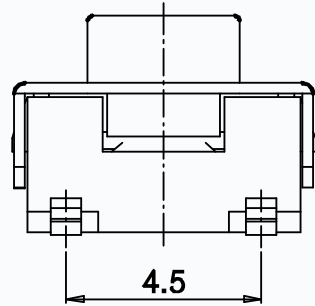
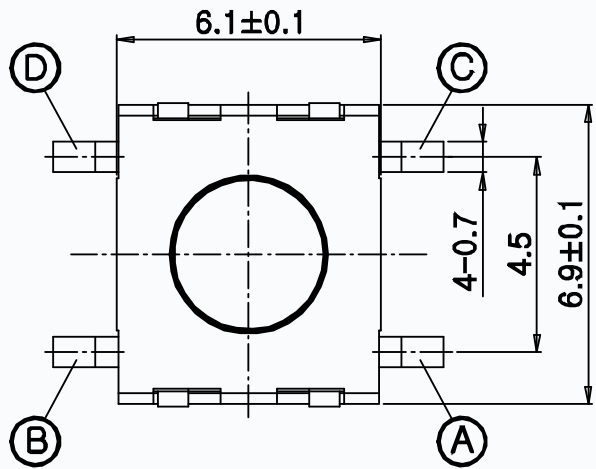


CAD FILE:

MODEL NO.	XX	H(MM)
T6-6169S-XX-H	20=200GF	4.3
	25=250GF	5.0
		6.0



CIRCUIT DIAGRAM

CMTDDZ

P.C.B. LAND PATTERN

SPECIFICATIONS	
Rating	50mA 12V DC
Travel	0.25±0.1mm
Contact Resistance	≤ 100 mΩ
Operating temperature	-20℃ ~ 70℃(45% ~ 85% RH)
Operating Force	200±50gf/250±50gf
Operating Life	100,000 Cycles

NO.	PARTS	MATERIALS	Q'TY	FINISH
8				
7				
6				
5	KNOB	PA46	1	WHITE
4	COVER	SPCC	1	PLATING SN
3	TERMINAL	COPPER	4	PLATING SILVER
2	CONTACT	F.Ag/C5210	1	---
1	BASE	PA46	1	BLACK

TOLERANCE
UNLESS SPECIFIED
WITHIN 1.5mm : ±0.1mm
OVER 1.5mm : ±0.2mm

THESE DRAWINGS AND SPECIFICATIONS ARE THE PROPERTY OF DONGGUAN TIANDU ELECTRONICS CO.,LTD. AND SHALL NOT BE REPRODUCED, COPIED OR USED IN ANY MANNER WITHOUT THE PRIOR WRITTEN CONSENT OF DONGGUAN TIANDU ELECTRONICS CO., LTD

DESCRIPTIONS OF REVISION APPD.

TITLE : TACT SWITCH		UNIT : mm	DRWG NO.: CMTDDZ-T6-6169S-00		
MODEL: T6-6169S-XX-H		SCALE: 3:1	DWN.	ERIC	2013-6-17
CMTDDZ	东莞市田都电子有限公司 DONGGUAN TIANDU ELECTRONICS CO.,LTD.	CHK'D	MAIKO	2013-6-17	
		APPD.	Coco	2013-6-17	