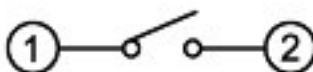
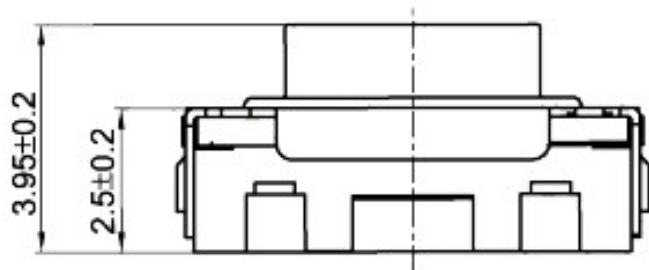
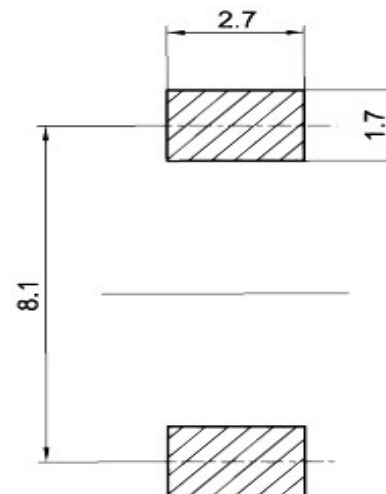
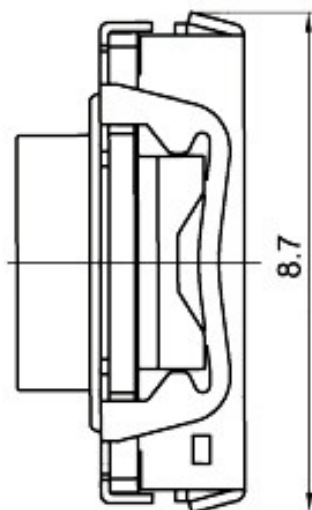
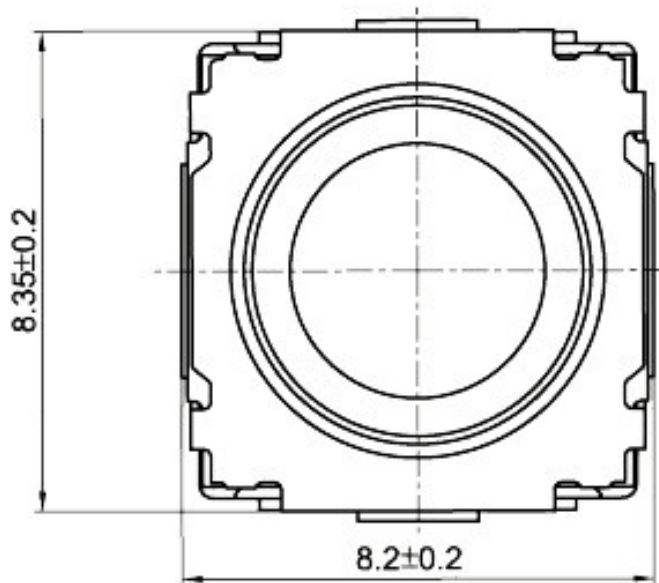
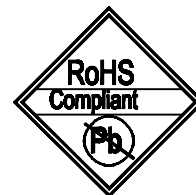


CAD FILE:

MODEL NO.	XX
T6-8284S-XX	40=400GF
	70=700GF
	100=1000GF



SPECIFICATIONS

Rating	50mA 12V DC
Travel	0.9±0.1mm
Contact Resistance	≤ 100 mΩ
Operating temperature	-20℃ ~ 70℃(45% ~ 85% RH)
Operating Force	400±50gf/700±80gf/1000±130gf
Operating Life	500,000 Cycles

NO.	PARTS	MATERIALS	Q'TY	FINISH
8				
7				
6				
5	CONTACT	F.Ag/SUS	1	-----
4	TERMINAL	BRASS	2	PLATING SILVER
3	COVER	SUS	1	-----
2	BUTTON	SILICA GEL	1	-----
1	BASE	LCP	1	BLACK

**TOLERANCE
UNLESS SPECIFIED**
 WITHIN 1.5mm : ±0.1mm
 OVER 1.5mm : ±0.2mm

THESE DRAWINGS AND SPECIFICATIONS
 ARE THE PROPERTY OF DONGGUAN
 TIANDU ELECTRONICS CO.,LTD. AND
 SHALL NOT BE REPRODUCED, COPIED
 OR USED IN ANY MANNER WITHOUT
 THE PRIOR WRITTEN CONSENT OF
 DONGGUAN TIANDU ELECTRONICS CO., LTD

DESCRIPTIONS OF REVISION

APPD.

TITLE : TACT SWITCH

UNIT : mm

DRWG NO.: CMTDDZ-T6-8284S-00

MODEL: T6-8284S-XX

SCALE: 3:1

DWN. ERIC 2013-6-17

CMTDDZ 东莞市田都电子有限公司
 DONGGUAN TIANDU ELECTRONICS CO.,LTD.

CHK'D MAIKO 2013-6-17

APPD. Coco 2013-6-17