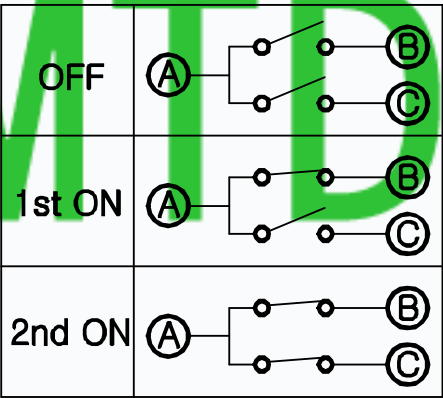
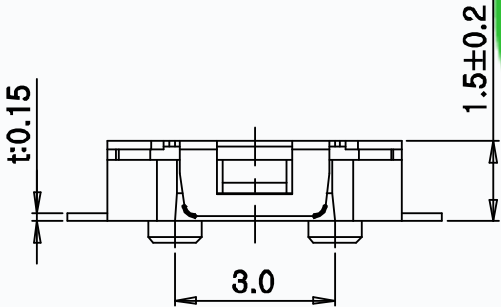
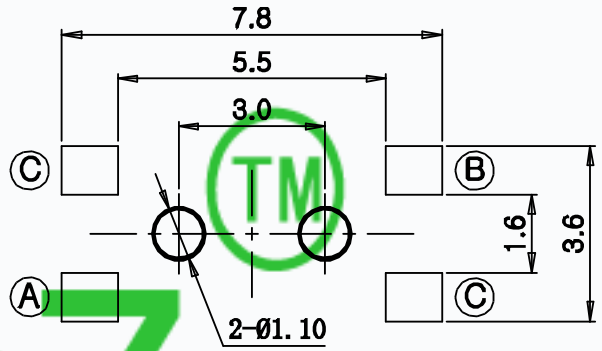
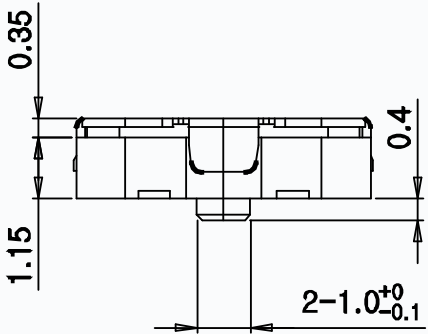
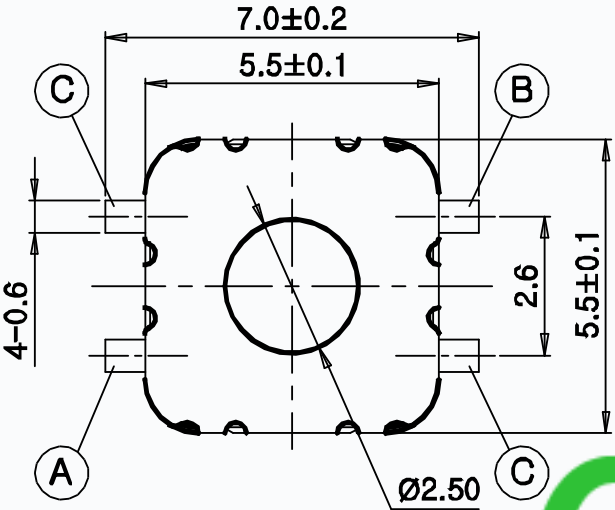


MODEL NO.	XX	T(TRAVEL)
T6-5555S-XX-T	23=230GF	1=1st
	46=460GF	2=2nd



P.C.B. LAND PATTERN

SPECIFICATIONS

Rating	50mA 12V DC
Travel	1st 0.3±0.15mm 2nd 0.55±0.15mm
Contact Resistance	≤ 100 mΩ
Operating temperature	-20℃ ~ 70℃ (45% ~ 85% RH)
Operating Force	50-230±50gf / 100-460±50gf
Operating Life	10,000 Cycles

CIRCUIT DIAGRAM

8				
7				
6				
5	KNOB	NYLON	1	WHITE
4	COVER	SUS	1	NATURE
3	TERMINAL	PHOSPHOR BRONZE	4	PLATING SILVER
2	CONTACT	F.Ag/SUS	1	PLATING SILVER
1	BASE	NYLON	1	WHITE
NO.	PARTS	MATERIALS	Q'TY	FINISH

TOLERANCE UNLESS SPECIFIED		THESE DRAWINGS AND SPECIFICATIONS ARE THE PROPERTY OF DONGGUAN TIANDU ELECTRONICS CO.,LTD. AND SHALL NOT BE REPRODUCED, COPIED OR USED IN ANY MANNER WITHOUT THE PRIOR WRITTEN CONSENT OF DONGGUAN TIANDU ELECTRONICS CO., LTD		DESCRIPTIONS OF REVISION		APPD.
WITHIN 1.5mm : ±0.1mm						
OVER 1.5mm : ±0.2mm						
TITLE : TACT SWITCH			UNIT : mm	DRWG NO.: CMTDDZ-T6-5555S-00		
MODEL: T6-5555S-XX-T			SCALE: 3:1	DWN.	ERIC	2013-6-17
CMTDDZ 东莞市田都电子有限公司				CHK'D	MAIKO	2013-6-17
DONGGUAN TIANDU ELECTRONICS CO.,LTD.				APPD.	Coco	2013-6-17