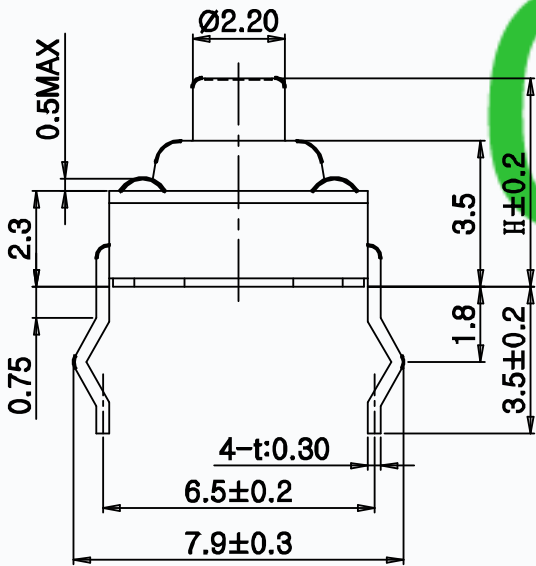
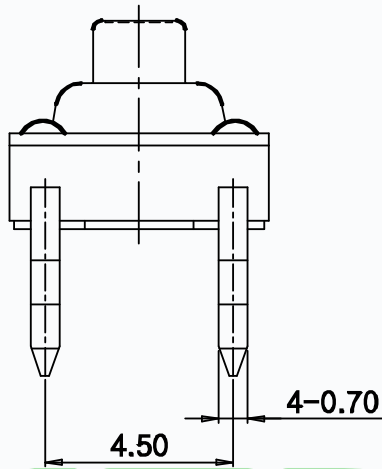
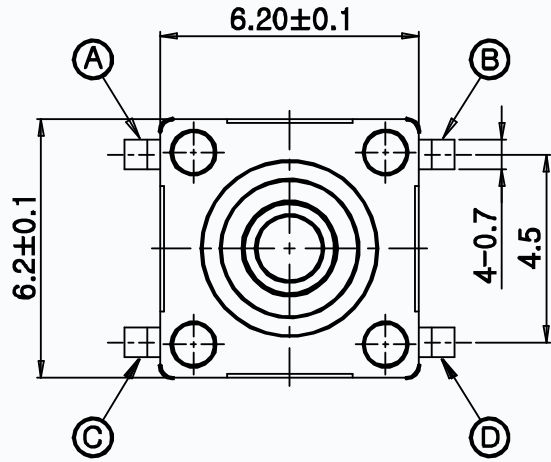
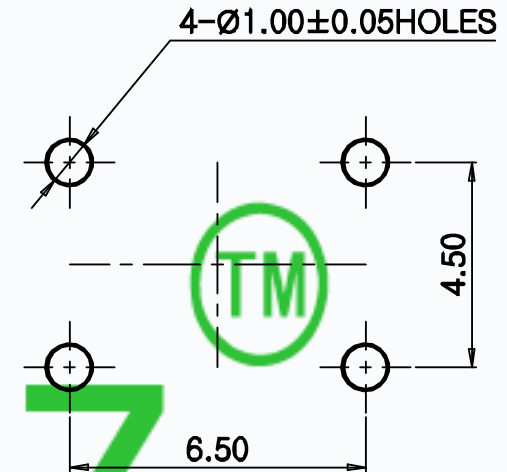


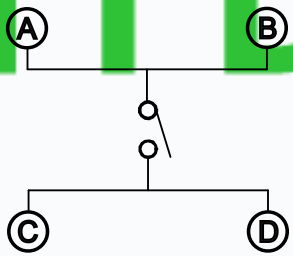
CAD FILE:



| MODEL NO. | XX | H(mm) |
|---------------|----------|-------|
| T6-6262D-XX-H | 20=200GF | 4.3 |
| | 30=300GF | 5.0 |
| | | 6.9 |
| | | 8.0 |



P.C.B. LAND PATTERN



CIRCUIT DIAGRAM

SPECIFICATIONS

| | |
|-----------------------|----------------------------|
| Rating | 50mA 12V DC |
| Travel | 0.3±0.1mm |
| Contact Resistance | ≤ 100 mΩ |
| Operating temperature | -20℃ ~ 70℃(45% ~ 85% RH) |
| Operating Force | 200±50/300±70gf |
| Operating Life | 100,000 Cycles |
| Ip Rating | IP66 |

| NO. | PARTS | MATERIALS | Q'TY | FINISH |
|-----|---------------------|------------|------|----------------|
| 8 | | | | |
| 7 | | | | |
| 6 | KNOB | NYLON | 1 | RED |
| 5 | COVER | BRASS | 1 | TIN PLATED |
| 4 | WATERPROOF SILICONE | SILICA GEL | 1 | BLACK |
| 3 | TERMINAL | COPPER | 4 | PLATING SILVER |
| 2 | CONTACT | F.Ag/SUS | 1 | PLATING SILVER |
| 1 | BASE | NYLON | 1 | BLACK |

| TOLERANCE UNLESS SPECIFIED | | DESCRIPTIONS OF REVISION | | APPD. |
|--|--|--------------------------|------------------------------|----------------|
| WITHIN 1.5mm : ±0.1mm | | | | |
| OVER 1.5mm : ±0.2mm | | | | |
| TITLE : WATERPROOF SWITCH | | UNIT : mm | DRWG NO.: CMTDDZ-T6-6262D-00 | |
| MODEL: T6-6262D-XX-H | | SCALE: 3:1 | DWN. | ERIC 2013-6-17 |
| CMTDDZ 东莞市田都电子有限公司 DONGGUAN TIANDU ELECTRONICS CO.,LTD. | | CHK'D | MAIKO | 2013-6-17 |
| | | APPD. | Coco | 2013-6-17 |

THESE DRAWINGS AND SPECIFICATIONS ARE THE PROPERTY OF DONGGUAN TIANDU ELECTRONICS CO.,LTD. AND SHALL NOT BE REPRODUCED, COPIED OR USED IN ANY MANNER WITHOUT THE PRIOR WRITTEN CONSENT OF DONGGUAN TIANDU ELECTRONICS CO., LTD