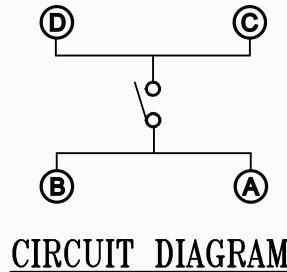
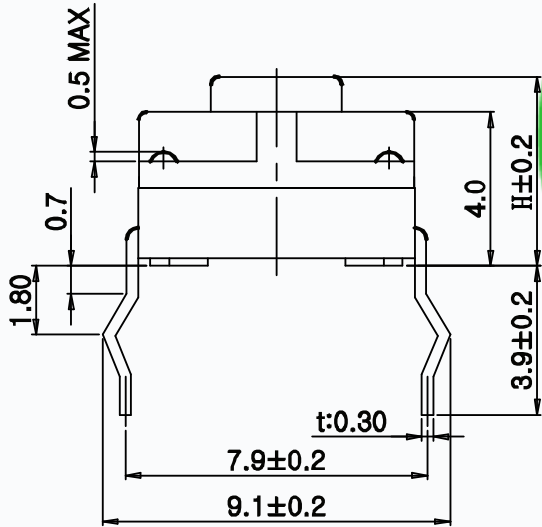
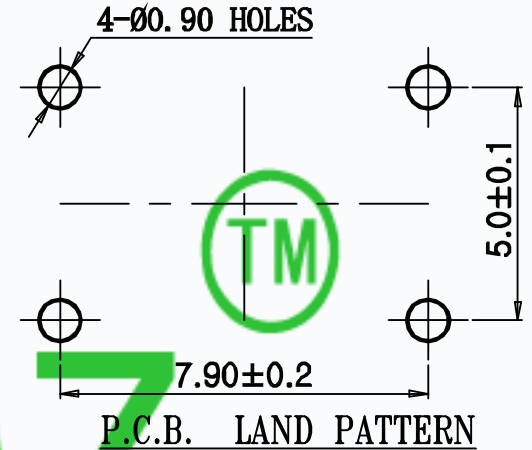
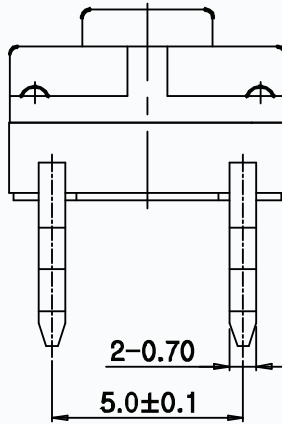
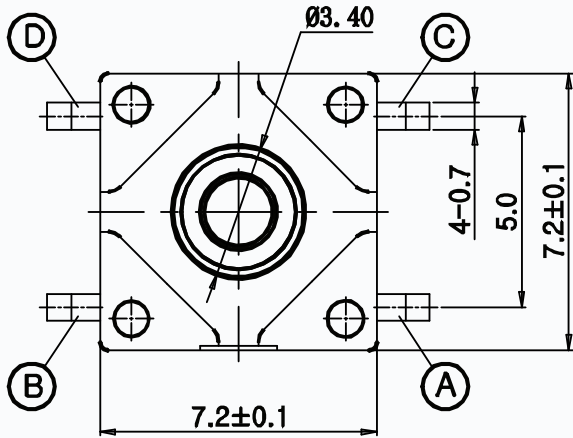


CAD FILE:

MODEL NO.	H(mm)	H(mm)
T6-7272ED-H	4.3	9.0
	4.98	9.9
	5.1	13
	6.9	
	7.1	



CMTDDZ

SPECIFICATIONS	
Rating	50mA 12V DC
Travel	0.25±0.1mm
Contact Resistance	≤ 100 mΩ
Operating temperature	-20℃ ~ 70℃(45% ~ 85% RH)
Operating Force	250±70gf
Operating Life	100,000 Cycles
Ip Rating	IP67

NO.	PARTS	MATERIALS	Q'TY	FINISH
8				
7				
6	KNOB	NYLON	1	BLACK
5	COVER	NYLON	1	BLUE
4	WATERPROOF SILICONE	SILICA GEL	1	BLACK
3	TERMINAL	COPPER	4	PLATING SILVER
2	CONTACT	F.Ag/SUS	1	PLATING SILVER
1	BASE	NYLON	1	BLACK

TOLERANCE UNLESS SPECIFIED		DESCRIPTIONS OF REVISION	
WITHIN 1.5mm : ±0.1mm	OVER 1.5mm : ±0.2mm		
TITLE : WATERPROOF SWITCH MODEL: T6-7272ED-H		UNIT : mm	DRWG NO.: CMTDDZ-T6-7272ED-00
THESE DRAWINGS AND SPECIFICATIONS ARE THE PROPERTY OF DONGGUAN TIANDU ELECTRONICS CO.,LTD. AND SHALL NOT BE REPRODUCED, COPIED OR USED IN ANY MANNER WITHOUT THE PRIOR WRITTEN CONSENT OF DONGGUAN TIANDU ELECTRONICS CO., LTD		SCALE: 3:1	DWN. ERIC 2013-6-17
CMTDDZ 东莞市田都电子有限公司 DONGGUAN TIANDU ELECTRONICS CO.,LTD.		CHK'D MAIKO	2013-6-17
		APPD. Coco	2013-6-17