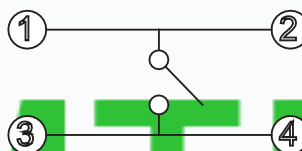
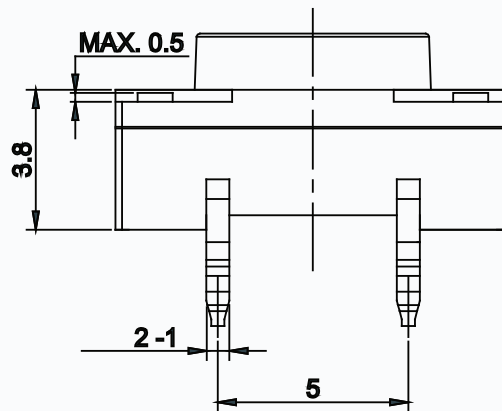
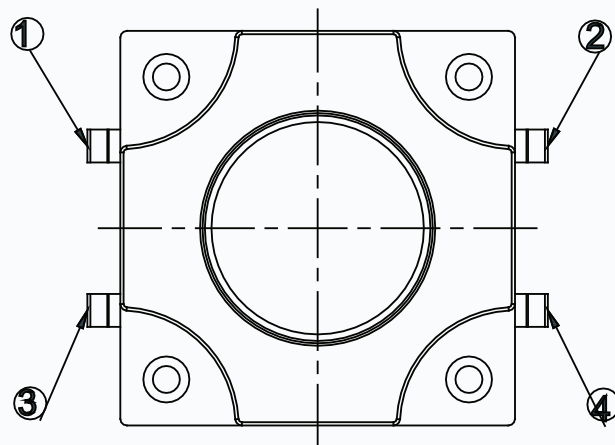
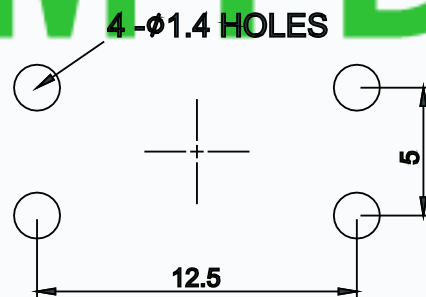
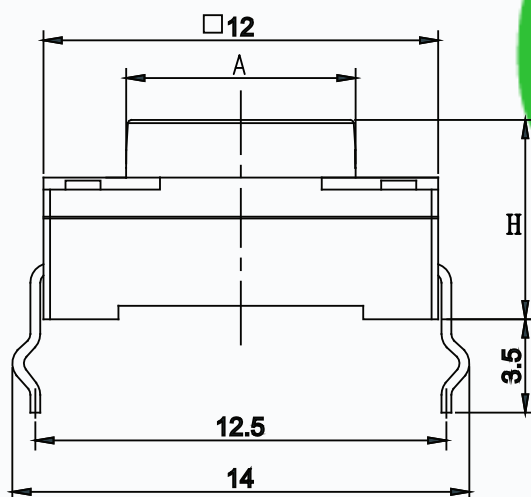




CAD FILE:



CIRCUIT DIAGRAM



P.C.B. LAND PATTERN

MODEL NO.	T6-1212HD-XX-H-φA			
XX	H(mm)	φA(mm)	H(mm)	φA(mm)
18=180GF	6.0	6.8	12	6.0
25=250GF	6.5	6.7	13	6.0
	7.0	6.7	14	6.0
	7.5	6.7	15	6.0
	8.0	6.7	16	6.0
	8.5	6.6	17	6.0
	9.0	6.6	18	5.8
	9.5	6.6	19	5.8
	10.0	6.0	20	5.8
	11	6.0	21	5.8

SPECIFICATIONS

Rating	50mA 12V DC
Travel	0.35±0.15mm
Contact Resistance	≤ 100 mΩ
Operating temperature	-20℃ ~ 70℃(45% ~ 85% RH)
Operating Force	180±50gf/250±50gf
Operating Life	100,000 Cycles
Ip Rating	IP67

NO.	PARTS	MATERIALS	Q'TY	FINISH
8				
7				
6	KNOB	PPA	1	BLACK
5	COVER	PPA	1	BLACK
4	WATERPROOF SILICONE	SILICA GEL	1	BLACK
3	TERMINAL	BRASS	4	SILVERING
2	CONTACT	SUS	1	SILVER COVERED
1	BASE	PPA	1	BLACK

TOLERANCE UNLESS SPECIFIED		DESCRIPTIONS OF REVISION		APPD.
WITHIN 1.5mm	: ±0.1mm			
OVER 1.5mm	: ±0.2mm			
TITLE : WATERPROOF SWITCH		UNIT : mm	DRWG NO.: CMTDDZ-T6-1212HD-00	
MODEL: T6-1212HD-XX-H-A		SCALE: 3:1	DWN.	ERIC
CMTDDZ 东莞市田都电子有限公司 DONGGUAN TIANDU ELECTRONICS CO.,LTD.			CHK'D	MAIKO
			APPD.	Coco

THESE DRAWINGS AND SPECIFICATIONS ARE THE PROPERTY OF DONGGUAN TIANDU ELECTRONICS CO.,LTD. AND SHALL NOT BE REPRODUCED, COPIED OR USED IN ANY MANNER WITHOUT THE PRIOR WRITTEN CONSENT OF DONGGUAN TIANDU ELECTRONICS CO., LTD

