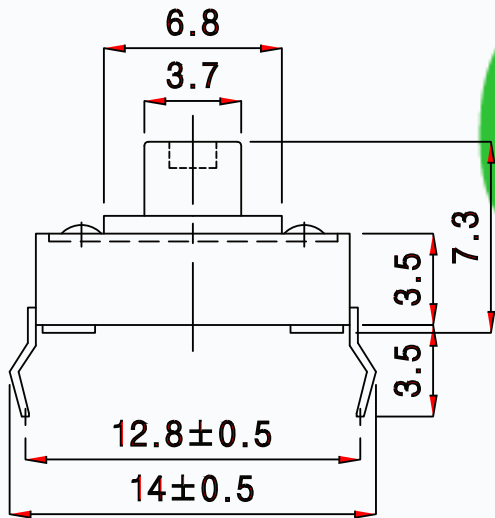
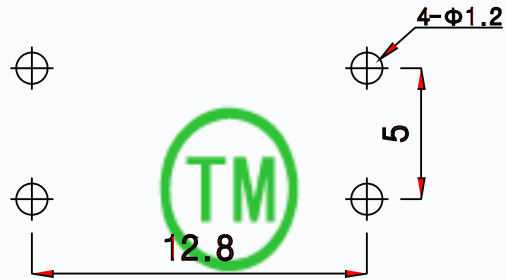
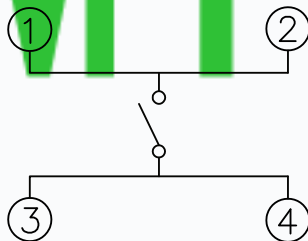


MODEL NO.	XX
T6-1212BD-XX	12=120gf
	18=180gf
	25=250gf



CMTDDZ

P.C.B. LAND PATTERN



CIRCUIT DIAGRAM

SPECIFICATIONS

Rating	50mA 12V DC
Travel	0.3±0.1mm
Contact Resistance	≤ 100 mΩ
Operating temperature	-20℃ ~ 70℃(45% ~ 85% RH)
Operating Force	100±30gf/180±50gf/250±50gf
Operating Life	100,000 Cycles

NO.	PARTS	MATERIALS	Q'TY	FINISH
8				
7				
6				
5	COVER	SPCC	1	PLATING NICKEL
4	KEYSTOKE	NYLON	1	BLACK/WHITE
3	TERMINAL	BRASS	4	SILVERING
2	CONTACT	SUS	1	Ag CLAD
1	BASE	NYLON	1	BLACK

TOLERANCE
UNLESS SPECIFIED
WITHIN 1.5mm : ±0.1mm
OVER 1.5mm : ±0.2mm

THESE DRAWINGS AND SPECIFICATIONS ARE THE PROPERTY OF DONGGUAN TIANDU ELECTRONICS CO.,LTD. AND SHALL NOT BE REPRODUCED, COPIED OR USED IN ANY MANNER WITHOUT THE PRIOR WRITTEN CONSENT OF DONGGUAN TIANDU ELECTRONICS CO., LTD

DESCRIPTIONS OF REVISION APPD.

TITLE : TACT SWITCH		UNIT : mm	DRWG NO.: CMTDDZ-T6-6060JD-00		
MODEL: T6-1212BD-XX		SCALE: 3:1	DWN.	ERIC	2013-6-17
CMTDDZ	东莞市田都电子有限公司	DONGGUAN TIANDU ELECTRONICS CO.,LTD.	CHK'D	MAIKO	2013-6-17
			APPD.	Coco	2013-6-17