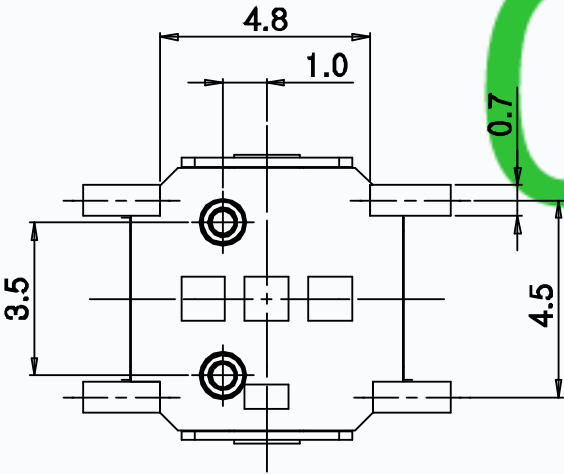
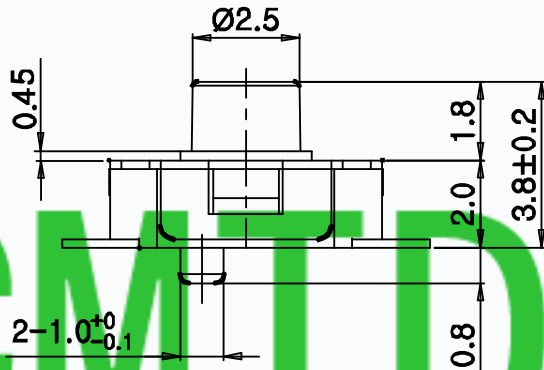
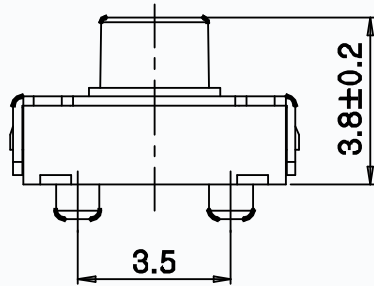
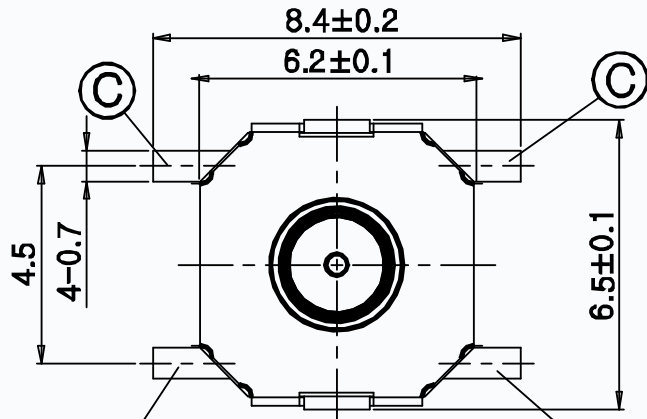
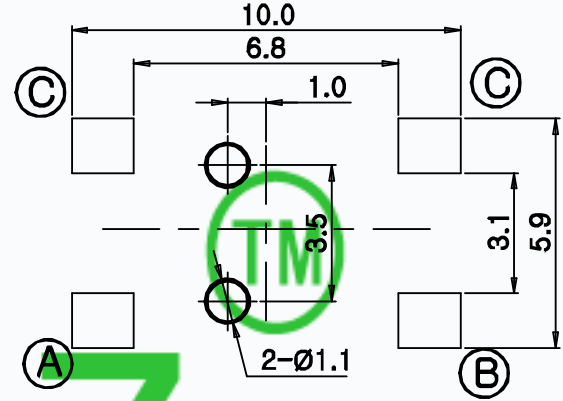


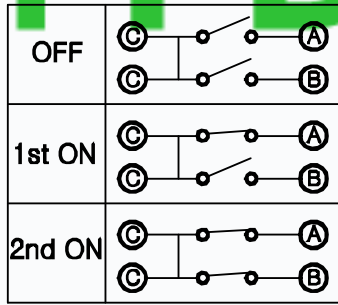
CAD FILE:



MODEL NO.	XX	T(TRAVEL)
T6-6265S-XX-T	10=10GF	1=1st
	25=250GF	2=2nd



P.C.B. LAND PATTERN



CIRCUIT DIAGRAM

SPECIFICATIONS

Rating	50mA 12V DC
Travel	1st 0.3±0.1mm 2nd 0.55±0.1mm
Contact Resistance	≤ 100 mΩ
Operating temperature	-20℃ ~ 70℃(45% ~ 85% RH)
Operating Force	100±40gf / 250±80gf
Operating Life	100,000 Cycles

8				
7				
6				
5	KNOB	NYLON	1	WHITE
4	COVER	SUS	1	NATURE
3	TERMINAL	PHOSPHOR BRONZE	4	PLATING SILVER
2	CONTACT	F.Ag/SUS	1	PLATING SILVER
1	BASE	NYLON	1	WHITE
NO.	PARTS	MATERIALS	Q'TY	FINISH

TOLERANCE UNLESS SPECIFIED	THESE DRAWINGS AND SPECIFICATIONS ARE THE PROPERTY OF DONGGUAN TIANDU ELECTRONICS CO.,LTD. AND SHALL NOT BE REPRODUCED, COPIED OR USED IN ANY MANNER WITHOUT THE PRIOR WRITTEN CONSENT OF DONGGUAN TIANDU ELECTRONICS CO., LTD	DESCRIPTIONS OF REVISION			APPD.
WITHIN 1.5mm : ±0.1mm OVER 1.5mm : ±0.2mm		TITLE : TACT SWITCH	UNIT : mm	DRWG NO.: CMTDDZ-T6-6265S-00	
	MODEL: T6-6265S-XX-T	SCALE: 3:1	DWN.	ERIC	2013-6-17
	CMTDDZ 东莞市田都电子有限公司		CHK'D	MAIKO	2013-6-17
	DONGGUAN TIANDU ELECTRONICS CO.,LTD.		APPD.	Coco	2013-6-17