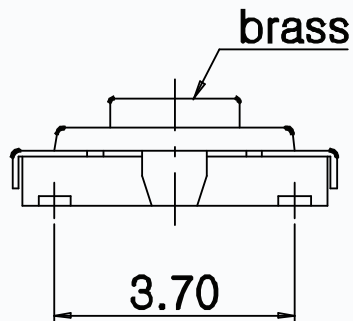
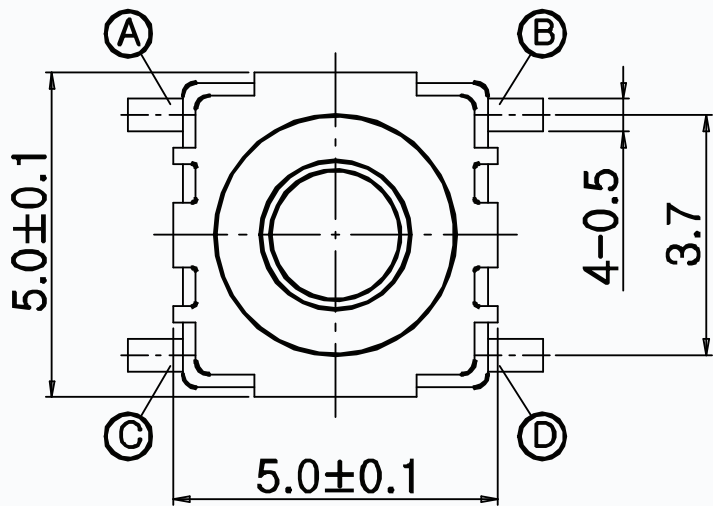
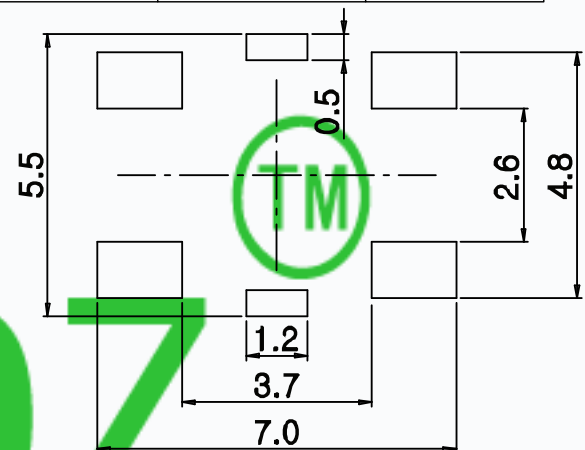


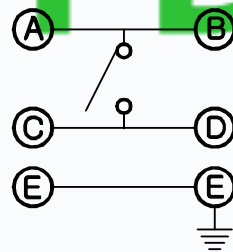
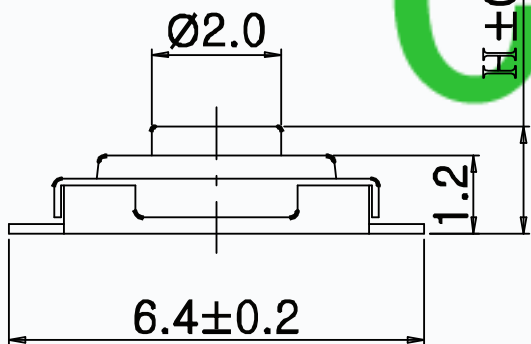
CAD FILE:



MODEL NO.	XX	H
T6-5252AS-XX-H	07=70GF	1.5MM
	10=100GF	1.7MM
	16=160GF	2.0MM
	26=260GF	2.5MM
		3.5MM
		4.3MM
	5.0MM	



P.C.B. LAND PATTERN



CIRCUIT DIAGRAM

SPECIFICATIONS

Rating	50mA 12V DC
Travel	0.25±0.1mm
Contact Resistance	≤ 100 mΩ
Operating temperature	-20℃ ~ 70℃( 45% ~ 85% RH )
Operating Force	70±50/100±50/160±50/260±60gf
Operating Life	100,000 Cycles

NO.	PARTS	MATERIALS	Q'TY	FINISH
8				
7				
6	KNOB	BRASS	1	YELLOW
5	COVER	SUS	1	NATURAL
4	DUST COVER	KAPTON FILM	1	YELLOW
3	TERMINAL	PHOSPHOR BRONZE	4	PLATING SILVER
2	CONTACT	F.Ag/SUS	1	NATURAL
1	BASE	NYLON	1	BLACK

TOLERANCE UNLESS SPECIFIED		DESCRIPTIONS OF REVISION		APPD.
WITHIN 1.5mm	: ±0.1mm			
OVER 1.5mm	: ±0.2mm			
TITLE : TACT SWITCH		UNIT : mm	DRWG NO.: CMTDDZ-T6-5252AS-00	
MODEL: T6-5252AS-XX-H		SCALE: 3:1	DWN.	ERIC 2013-6-17
CMTDDZ 东莞市田都电子有限公司			CHK'D	MAIKO 2013-6-17
DONGGUAN TIANDU ELECTRONICS CO.,LTD.			APPD.	Coco 2013-6-17

THESE DRAWINGS AND SPECIFICATIONS ARE THE PROPERTY OF DONGGUAN TIANDU ELECTRONICS CO.,LTD. AND SHALL NOT BE REPRODUCED, COPIED OR USED IN ANY MANNER WITHOUT THE PRIOR WRITTEN CONSENT OF DONGGUAN TIANDU ELECTRONICS CO., LTD