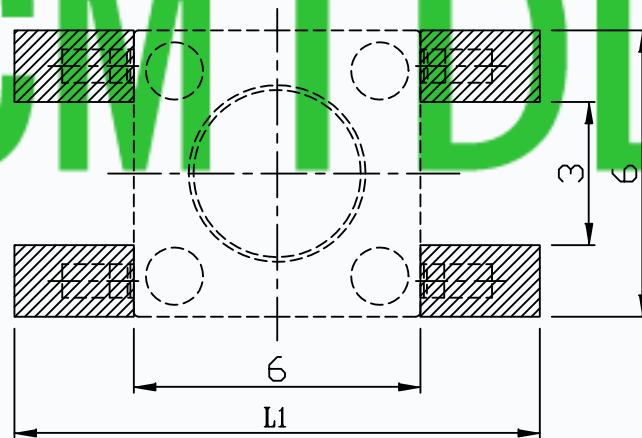
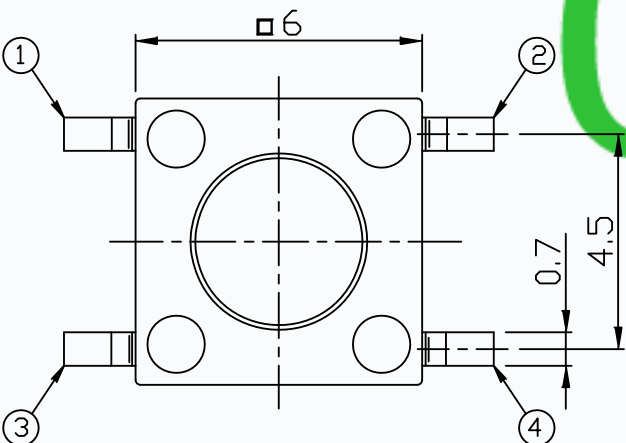
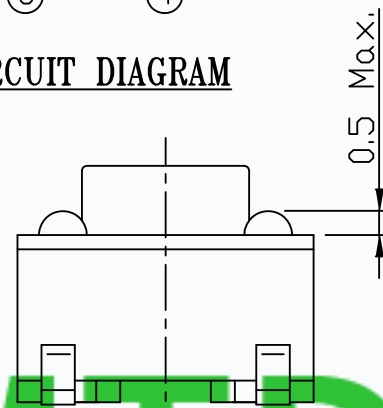


CIRCUIT DIAGRAM



P.C.B. LAND PATTERN

MODEL NO.	T6-6060DS-XX-H-L-L1			
XX	H(mm)	H(mm)	L(mm)	L1(mm)
10=100GF	4.3	11	8	10
16=160GF	4.5	11.5	8.5	11
26=260GF	5.0	12	9	11
32=320GF	5.5	12.5	9.5	12
52=520GF	6.0	13	10	12
	6.5	13.5		
	7.0	14		
	7.5	15		
	8.0	15.5		
	8.5	16		
	9.0	16.5		
	9.5	17		
	10.0	18		
	10.5	19		

SPECIFICATIONS

Rating	50mA 12V DC
Travel	0.25±0.1mm
Contact Resistance	≤ 100 mΩ
Operating temperature	-20℃ ~ 70℃( 45% ~ 85% RH )
Operating Force	100±50/160±50/260±50/320±80/520±130gf
Operating Life	50,000 Cycles for 320/520gf, 100,000 Cycles for 260gf, 200,000 Cycles for 100/160gf

NO.	PARTS	MATERIALS	Q'TY	FINISH
8				
7				
6				
5	KNOB	NYLON	1	BLACK
4	COVER	NYLON	1	BLACK
3	TERMINAL	BRASS(0.3T)	4	PLATING SILVER
2	CONTACT	F.Ag/C5210	1	NATURAL
1	BASE	NYLON	1	BLACK

TOLERANCE UNLESS SPECIFIED		THESE DRAWINGS AND SPECIFICATIONS ARE THE PROPERTY OF DONGGUAN TIANDU ELECTRONICS CO.,LTD. AND SHALL NOT BE REPRODUCED, COPIED OR USED IN ANY MANNER WITHOUT THE PRIOR WRITTEN CONSENT OF DONGGUAN TIANDU ELECTRONICS CO., LTD		DESCRIPTIONS OF REVISION		APPD.
WITHIN 1.5mm : ±0.1mm OVER 1.5mm : ±0.2mm						
TITLE : TACT SWITCH			UNIT : mm	DRWG NO.: CMTDDZ-T6-6060DS-00		
MODEL: T6-6060DS-XX-H-L-L1			SCALE: 3:1	DWN.	ERIC	2013-6-17
CMTDDZ 东莞市田都电子有限公司 DONGGUAN TIANDU ELECTRONICS CO.,LTD.				CHK'D	MAIKO	2013-6-17
				APPD.	Coco	2013-6-17