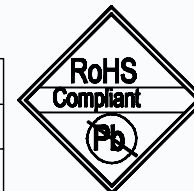
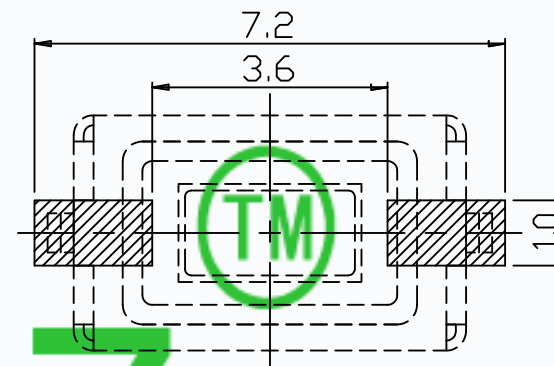
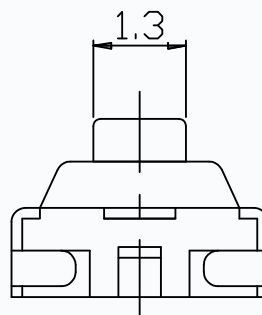
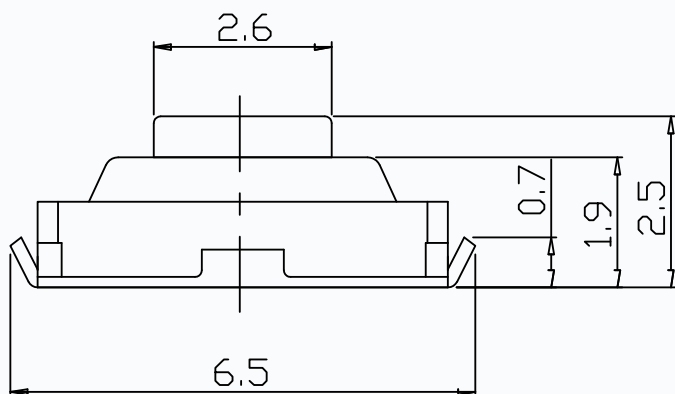




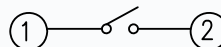
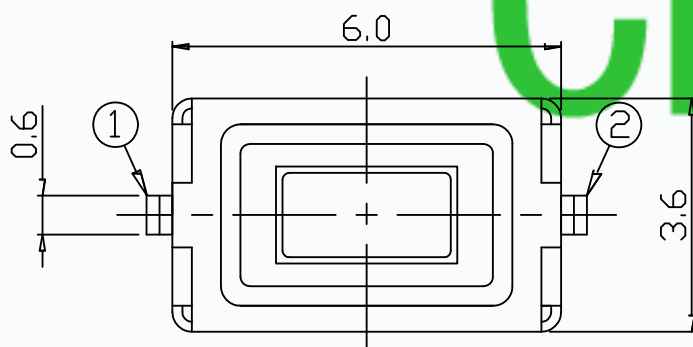
CAD FILE:



MODEL NO.	XX
T6-3760AS-XX	16=160GF
	26=260GF



P.C.B. LAND PATTERN



CIRCUIT DIAGRAM

SPECIFICATIONS

Rating	50mA 12V DC
Travel	0.25±0.05mm
Contact Resistance	≤ 100 mΩ
Operating temperature	-20℃ ~ 70℃( 45% ~ 85% RH )
Operating Force	160±50gf/260±50gf
Operating Life	20,000 Cycles for 260gf 50,000 Cycles for 160gf

8				
7				
6				
5	COVER	SHEET IRON	1	PLATING NICKEL
4	KEYSTROKE	NYLON	1	WHITE
3	TERMINAL	BRASS(0.20t)	2	Ag-PLATED
2	CONTACT	STAINLESS STEEL	1	Ag-PLATED
1	BASE	NYLON	1	BLACK
NO.	PARTS	MATERIALS	Q'TY	FINISH

TOLERANCE UNLESS SPECIFIED		THESE DRAWINGS AND SPECIFICATIONS ARE THE PROPERTY OF DONGGUAN TIANDU ELECTRONICS CO.,LTD. AND SHALL NOT BE REPRODUCED, COPIED OR USED IN ANY MANNER WITHOUT THE PRIOR WRITTEN CONSENT OF DONGGUAN TIANDU ELECTRONICS CO., LTD		DESCRIPTIONS OF REVISION		APPD.	
WITHIN 1.5mm : ±0.1mm OVER 1.5mm : ±0.2mm				TITLE : TACT SWITCH		UNIT : mm	DRWG NO.: CMTDDZ-T6-3760AS-00
MODEL: T6-3760AS-XX				SCALE: 3:1	DWN.	ERIC	2013-6-17
CMTDDZ 东莞市田都电子有限公司 DONGGUAN TIANDU ELECTRONICS CO.,LTD.				CHK'D		MAIKO	2013-6-17
				APPD.		Coco	2013-6-17