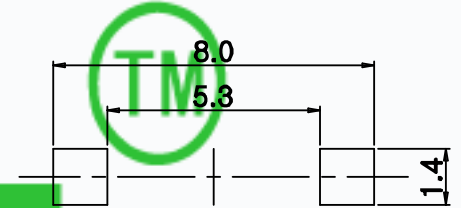
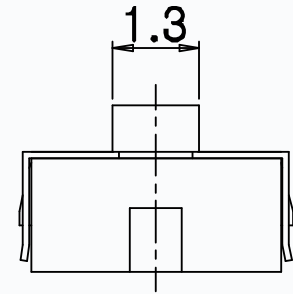
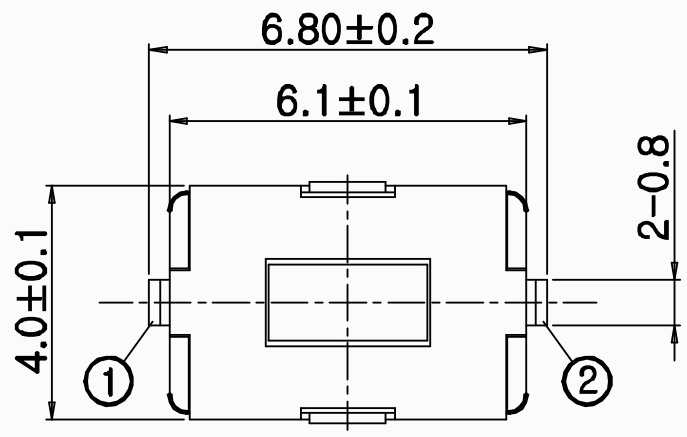


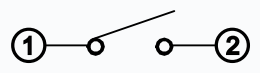
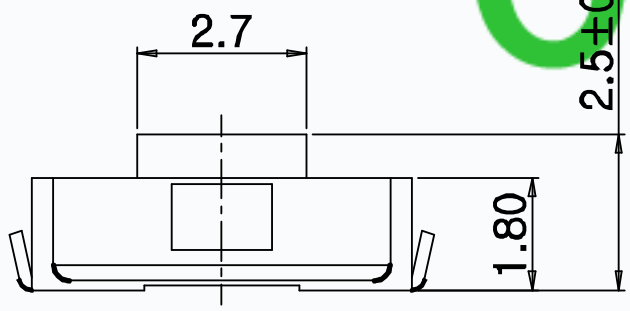
CAD FILE:

MODEL NO.	XX
T6-4060AS-XX	18=180GF
	25=250GF



# CMTDDZ

P.C.B. LAND PATTERN



CIRCUIT DIAGRAM

### SPECIFICATIONS

Rating	50mA 12V DC
Travel	0.25±0.1mm
Contact Resistance	≤ 100 mΩ
Operating temperature	-20℃ ~ 70℃( 45% ~ 85% RH )
Operating Force	180±50GF/250±50GF
Operating Life	30,000 Cycles for250gf 50,000 Cycles for 180gf

NO.	PARTS	MATERIALS	Q'TY	FINISH
8				
7				
6				
5	COVER	SUS	1	NATURAL
4	KEYSTOKE	NYLON	1	RED
3	TERMINAL	BRASS	2	PLATING SILVER
2	CONTACT	F.Ag/SUS	1	PLATING SILVER
1	BASE	NYLON	1	BLACK

TOLERANCE UNLESS SPECIFIED WITHIN 1.5mm : ±0.1mm OVER 1.5mm : ±0.2mm		THESE DRAWINGS AND SPECIFICATIONS ARE THE PROPERTY OF DONGGUAN TIANDU ELECTRONICS CO.,LTD. AND SHALL NOT BE REPRODUCED, COPIED OR USED IN ANY MANNER WITHOUT THE PRIOR WRITTEN CONSENT OF DONGGUAN TIANDU ELECTRONICS CO., LTD		DESCRIPTIONS OF REVISION		APPD.
TITLE : TACT SWITCH			UNIT : mm	DRWG NO.: CMTDDZ-T6-4060AS-00		
MODEL: T6-4060AS-XX			SCALE: 3:1	DWN.	ERIC	2013-6-17
CMTDDZ 东莞市田都电子有限公司				CHK'D	MAIKO	2013-6-17
DONGGUAN TIANDU ELECTRONICS CO.,LTD.				APPD.	Coco	2013-6-17