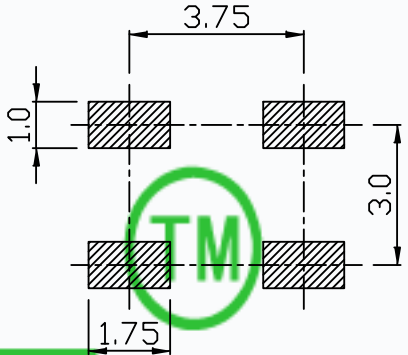
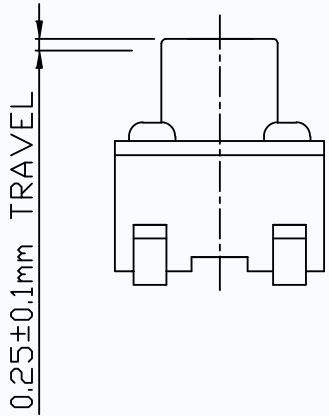
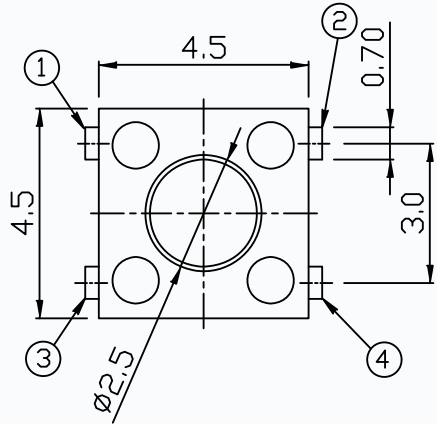


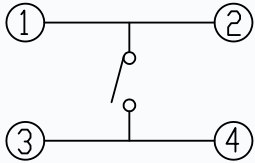
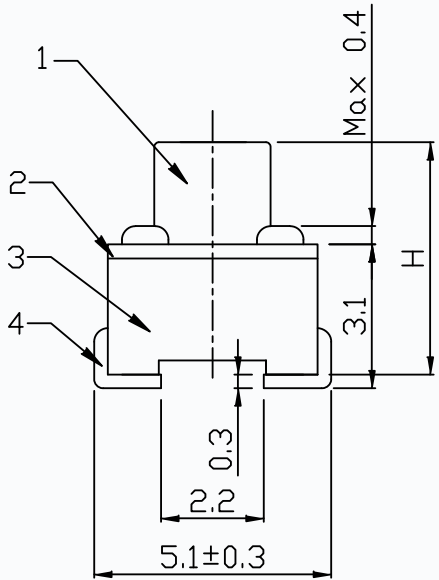
CAD FILE:

MODEL NO.	XX	H
T6-4545AS-XX-H	16=160GF	3.8~7MM
	25=250GF	



CMTDDZ

P.C.B. LAND PATTERN



CIRCUIT DIAGRAM

SPECIFICATIONS

Rating	50mA 12V DC
Travel	0.25±0.1mm
Contact Resistance	≤ 100 mΩ
Operating temperature	-20℃ ~ 70℃(45% ~ 85% RH)
Operating Force	160±50GF/250±50GF
Operating Life	100,000 Cycles

8				
7				
6				
5	COVER	MILTD STEEL	1	PLATING NICKEL
4	KEYSTOKE	NYLON	1	BLACK/WHITE
3	TERMINAL	BRASS	2	PLATING Ag
2	CONTACT	SUS	1	Ag CLAD
1	BASE	NYLON	1	BLACK
NO.	PARTS	MATERIALS	Q'TY	FINISH

TOLERANCE UNLESS SPECIFIED WITHIN 1.5mm : ±0.1mm OVER 1.5mm : ±0.2mm	THESE DRAWINGS AND SPECIFICATIONS ARE THE PROPERTY OF DONGGUAN TIANDU ELECTRONICS CO.,LTD. AND SHALL NOT BE REPRODUCED, COPIED OR USED IN ANY MANNER WITHOUT THE PRIOR WRITTEN CONSENT OF DONGGUAN TIANDU ELECTRONICS CO., LTD	DESCRIPTIONS OF REVISION	APPD.
TITLE : TACT SWITCH		UNIT : mm	DRWG NO.: CMTDDZ-T6-4545AS-00
MODEL: T6-4545AS-XX-H		SCALE: 3:1	DWN. ERIC 2013-6-17
CMTDDZ 东莞市田都电子有限公司		CHK'D MAIKO	2013-6-17
DONGGUAN TIANDU ELECTRONICS CO.,LTD.		APPD. Coco	2013-6-17