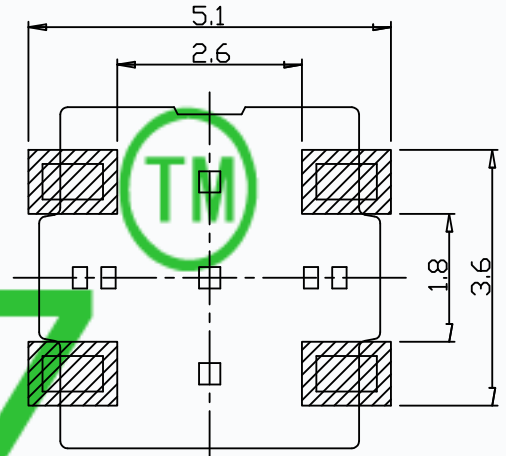
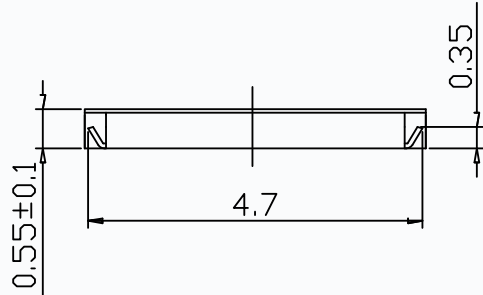
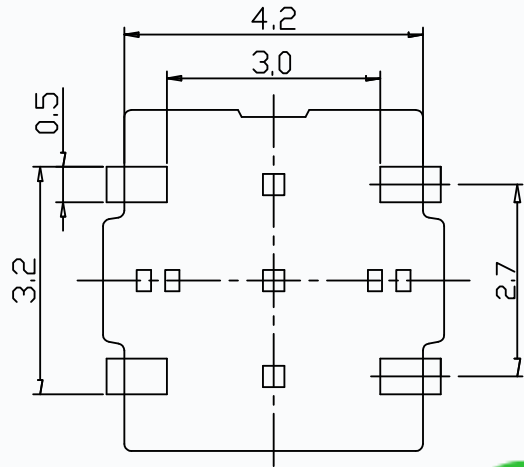
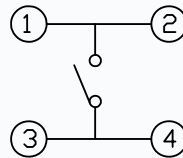
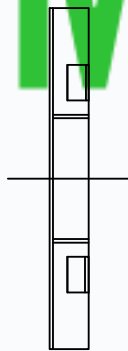
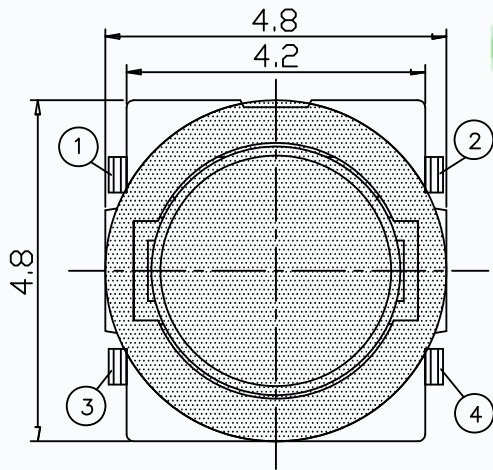


CAD FILE:

MODEL NO.	XX
T6-4848S-XX	10=100GF
	16=160GF
	20=200GF
	26=260GF
	36=360GF



P.C.B. LAND PATTERN



CIRCUIT DIAGRAM

SPECIFICATIONS

Rating	50mA 12V DC
Travel	0.2±0.1mm
Contact Resistance	≤ 100 mΩ
Operating temperature	-20℃ ~ 70℃ ( 45% ~ 85% RH )
Operating Force	100±50gf/160±50gf/20±50gf/260±50gf/360±50gf
Operating Life	500,000 Cycles for 200/260gf, 1,000,000 Cycles for 100/160gf, 200,000Cycles for 360gf

8				
7				
6				
5				
4	DUST COVER	KAPTON FILM	1	YELLOW
3	TERMINAL	PHOSPHOR BRONZE	4	PLATING SILVER
2	CONTACT	F.Ag/SUS	1	PLATING SILVER
1	BASE	NYLON	1	BLACK
NO.	PARTS	MATERIALS	Q'TY	FINISH

TOLERANCE UNLESS SPECIFIED		THESE DRAWINGS AND SPECIFICATIONS ARE THE PROPERTY OF DONGGUAN TIANDU ELECTRONICS CO.,LTD. AND SHALL NOT BE REPRODUCED, COPIED OR USED IN ANY MANNER WITHOUT THE PRIOR WRITTEN CONSENT OF DONGGUAN TIANDU ELECTRONICS CO., LTD		DESCRIPTIONS OF REVISION		APPD.
WITHIN 1.5mm : ±0.1mm						
OVER 1.5mm : ±0.2mm						
TITLE : TACT SWITCH			UNIT : mm	DRWG NO.: CMTDDZ-T6-4848S-00		
MODEL: T6-4848S-XX			SCALE: 3:1	DWN.	ERIC	2013-6-17
CMTDDZ 东莞市田都电子有限公司 DONGGUAN TIANDU ELECTRONICS CO.,LTD.			CHK'D		MAIKO	2013-6-17
			APPD.		Coco	2013-6-17