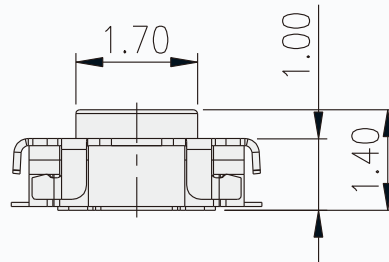
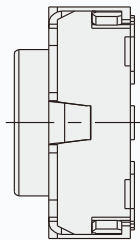
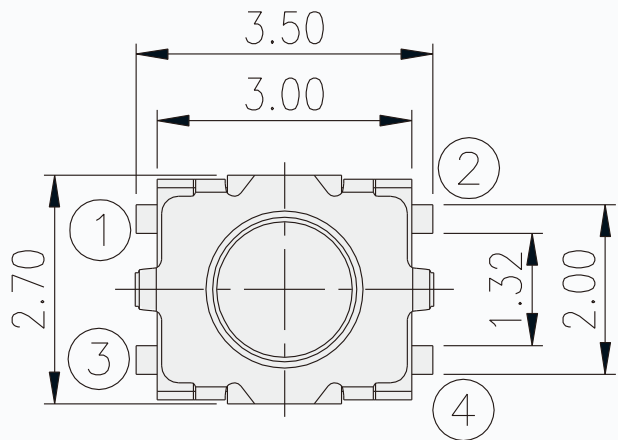
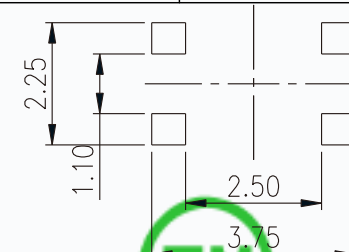
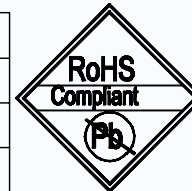


CAD FILE:

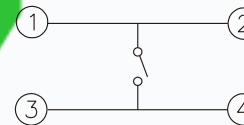
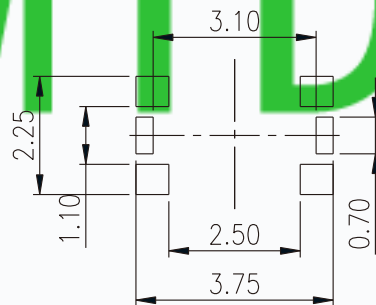
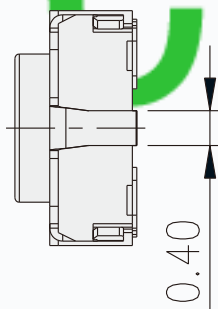
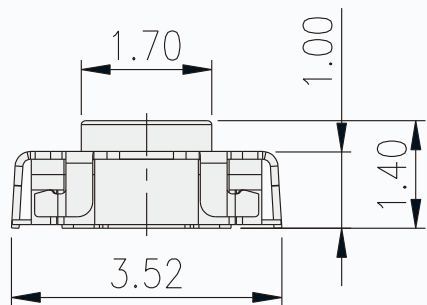


MODEL NO.	XX
T6-2830S-XX	16=160gf
	20=200gf
	40=400gf



P.C.B. LAND PATTERN

CMTDDZ



CIRCUIT DIAGRAM SPECIFICATIONS

Rating	50mA 12V DC
Travel	0.12mm
Contact Resistance	≤ 100 mΩ
Operating temperature	-20℃ ~ 70℃(45% ~ 85% RH)
Operating Force	160±50gf/200±50gf/400±80gf
Operating Life	200,000 Cycles

CIRCUIT DIAGRAM

8				
7				
6				
5	COVER	SUS	1	PLATING NICKEL
4	KEYSTROKE	NYLON	1	WHITE
3	TERMINAL	PHOSPHOR BRONZE	4	PLATING SILVER
2	CONTACT	F.Ag/SUS	2	NATURAL
1	BASE	LCP	1	BLACK
NO.	PARTS	MATERIALS	Q'TY	FINISH

TOLERANCE UNLESS SPECIFIED WITHIN 1.5mm : ±0.1mm OVER 1.5mm : ±0.2mm	THESE DRAWINGS AND SPECIFICATIONS ARE THE PROPERTY OF DONGGUAN TIANDU ELECTRONICS CO.,LTD. AND SHALL NOT BE REPRODUCED, COPIED OR USED IN ANY MANNER WITHOUT THE PRIOR WRITTEN CONSENT OF DONGGUAN TIANDU ELECTRONICS CO., LTD	DESCRIPTIONS OF REVISION	APPD.
TITLE : TACT SWITCH		UNIT : mm	DRWG NO.: CMTDDZ-T6-2830S-00
MODEL: T6-2830S-XX		SCALE: 3:1	DWN. ERIC 2013-6-17
CMTDDZ 东莞市田都电子有限公司		CHK'D MAIKO	2013-6-17
DONGGUAN TIANDU ELECTRONICS CO.,LTD.		APPD. Coco	2013-6-17