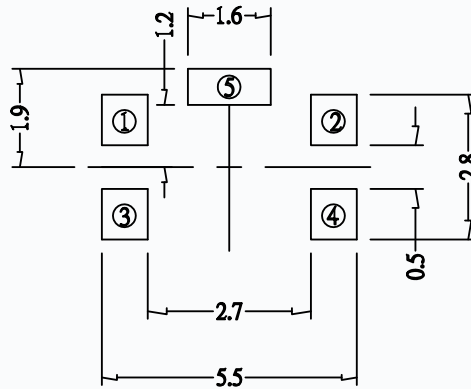
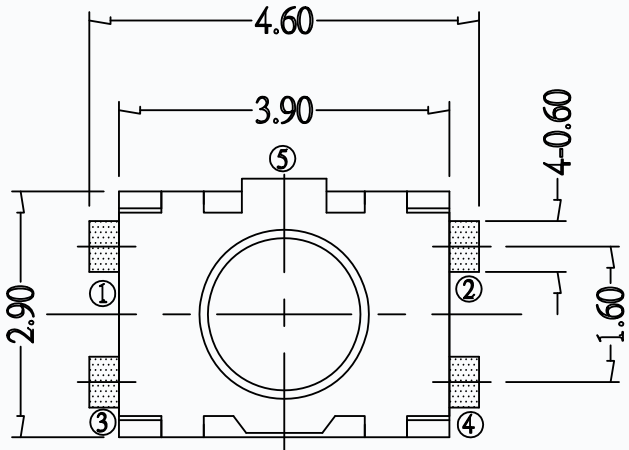
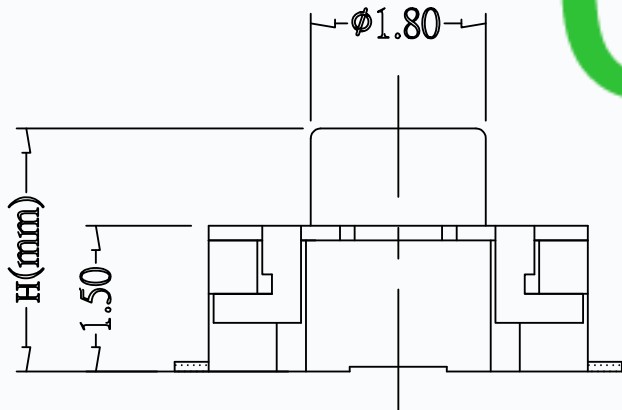


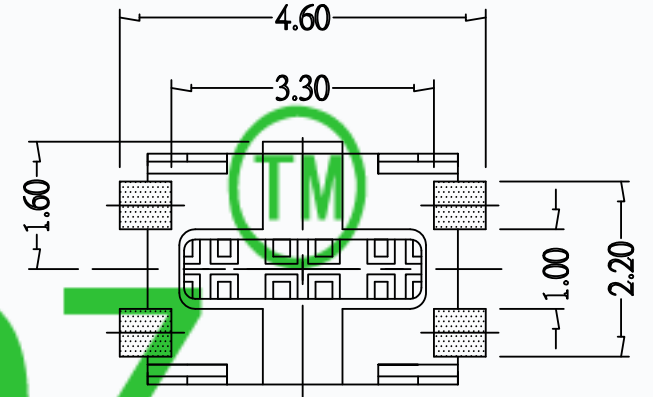
CAD FILE:



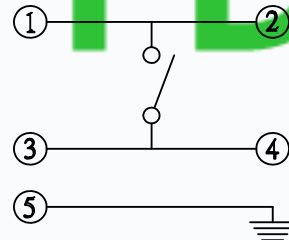
MODEL NO.	XX	H
T6-3040BS-XX-H	10=100gf	2.0MM
	13=130gf	2.5MM
	16=160gf	4.0MM
	25=250gf	7.0MM



CMTDDZ



P.C.B. LAND PATTERN



CIRCUIT DIAGRAM

SPECIFICATIONS

Rating	50mA 12V DC
Travel	0.15±0.1mm
Contact Resistance	≤ 100 mΩ
Operating temperature	-20℃ ~ 70℃( 45% ~ 85% RH )
Operating Force	100±30gf/130±30gf/160±50gf/250±50gf
Operating Life	100,000 Cycles

NO.	PARTS	MATERIALS	Q'TY	FINISH
8				
7				
6	COVER	SUS	1	NATURAL
5	KEYSTOKE	NYLON	1	BLACK
4	DUST COVER	KAPTON FILM	1	YELLOW
3	TERMINAL	PHOSPHOR BRONZE	4	PLATING SILVER
2	CONTACT	F.Ag/SUS	1	NATURAL
1	BASE	NYLON	1	BLACK

TOLERANCE UNLESS SPECIFIED		THESE DRAWINGS AND SPECIFICATIONS ARE THE PROPERTY OF DONGGUAN TIANDU ELECTRONICS CO.,LTD. AND SHALL NOT BE REPRODUCED, COPIED OR USED IN ANY MANNER WITHOUT THE PRIOR WRITTEN CONSENT OF DONGGUAN TIANDU ELECTRONICS CO., LTD		DESCRIPTIONS OF REVISION		APPD.
WITHIN 1.5mm : ±0.1mm OVER 1.5mm : ±0.2mm				TITLE : TACT SWITCH		UNIT : mm
		MODEL: T6-3040BS-XX-H 接地		SCALE: 3:1	DWN.	ERIC 2013-6-17
		CMTDDZ 东莞市田都电子有限公司			CHK'D	MAIKO 2013-6-17
		DONGGUAN TIANDU ELECTRONICS CO.,LTD.			APPD.	Coco 2013-6-17