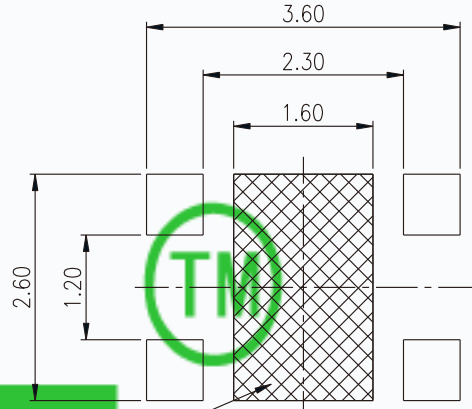
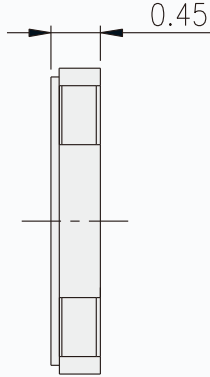
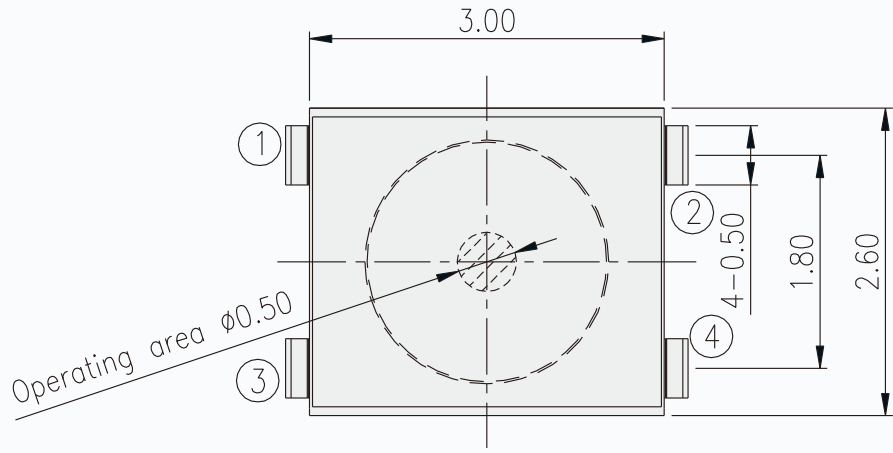


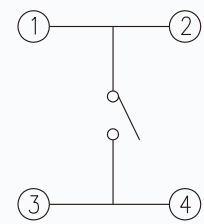
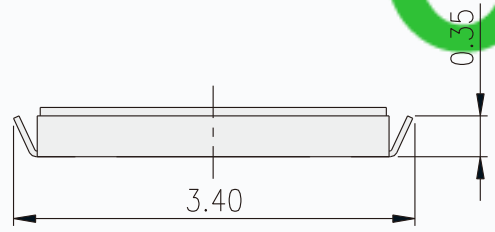
MODEL NO.	XX
T6-2630S-XX	10=100gf
	16=160gf



Any land pattern or vias shall not be provided at 1.6X2.6 area.

P.C.B. LAND PATTERN

CMTDDZ



CIRCUIT DIAGRAM

SPECIFICATIONS

Rating	50mA 12V DC
Travel	0.15±0.05mm
Contact Resistance	≤ 100 mΩ
Operating temperature	-20℃ ~ 70℃(45% ~ 85% RH)
Operating Force	100±50gf/160±50gf
Operating Life	100,000 Cycles

NO.	PARTS	MATERIALS	Q'TY	FINISH
8				
7				
6				
5				
4	DUST COVER	KAPTON FILM	1	YELLOW
3	TERMINAL	PHOSPHOR BRONZE	4	PLATING SILVER
2	CONTACT	F.Ag/SUS	2	PLATING SILVER
1	BASE	NYLON	1	BLACK

TOLERANCE UNLESS SPECIFIED WITHIN 1.5mm : ±0.1mm OVER 1.5mm : ±0.2mm	THESE DRAWINGS AND SPECIFICATIONS ARE THE PROPERTY OF DONGGUAN TIANDU ELECTRONICS CO.,LTD. AND SHALL NOT BE REPRODUCED, COPIED OR USED IN ANY MANNER WITHOUT THE PRIOR WRITTEN CONSENT OF DONGGUAN TIANDU ELECTRONICS CO., LTD		DESCRIPTIONS OF REVISION		APPD.
	TITLE : TACT SWITCH		UNIT : mm	DRWG NO.: CMTDDZ-T6-2630S-00	
MODEL: T6-2630S-XX		SCALE: 3:1	DWN.	ERIC	2013-6-17
CMTDDZ 东莞市田都电子有限公司 DONGGUAN TIANDU ELECTRONICS CO.,LTD.		CHK'D	MAIKO	2013-6-17	
		APPD.	Coco	2013-6-17	