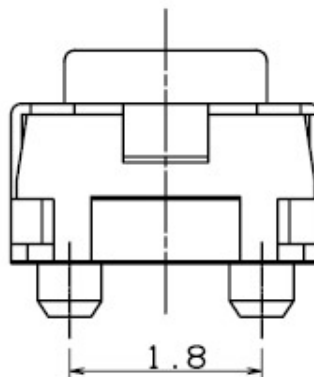
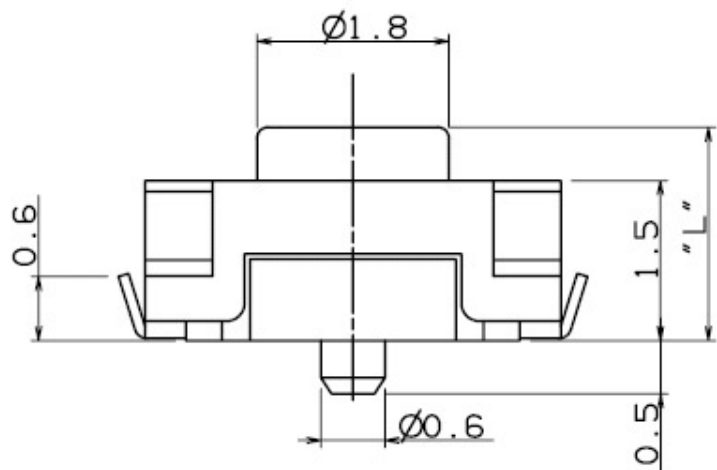
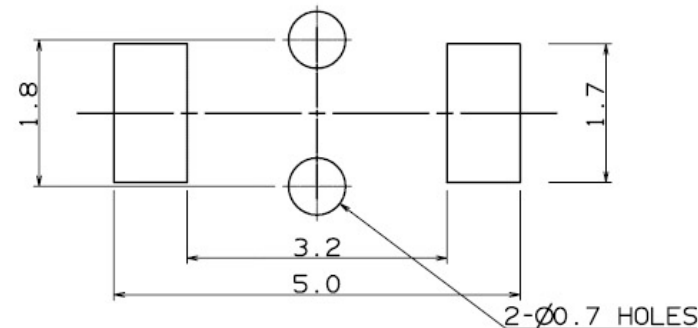
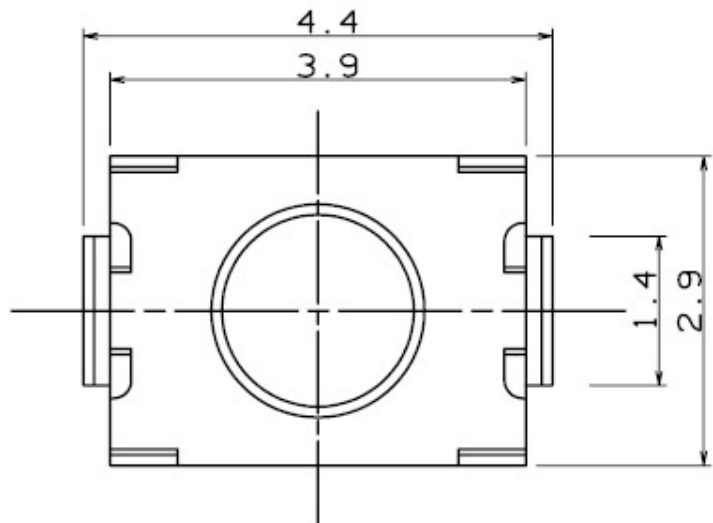
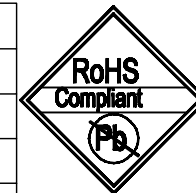


CAD FILE:



MODEL NO.	XX	H
T6-3040CS-XX-H	16=160gf	2.0MM
		2.5MM
	25=250gf	4.0MM
		7.0MM



P.C.B. LAND PATTERN

SPECIFICATIONS

Rating	50mA 12V DC
Travel	0.15±0.1mm
Contact Resistance	≤ 100 mΩ
Operating temperature	-20℃ ~ 70℃(45% ~ 85% RH)
Operating Force	160±30gf/250±50gf
Operating Life	100,000 Cycles

8				
7				
6	COVER	SUS	1	NATURAL
5	KEYSTOKE	NYLON	1	BLACK
4	DUST COVER	KAPTON FILM	1	YELLOW
3	TERMINAL	PHOSPHOR BRONZE	2	PLATING SILVER
2	CONTACT	F.Ag/SUS	2	NATURAL
1	BASE	NYLON	1	BLACK
NO.	PARTS	MATERIALS	Q'TY	FINISH

TOLERANCE UNLESS SPECIFIED		THESE DRAWINGS AND SPECIFICATIONS ARE THE PROPERTY OF DONGGUAN TIANDU ELECTRONICS CO.,LTD. AND SHALL NOT BE REPRODUCED, COPIED OR USED IN ANY MANNER WITHOUT THE PRIOR WRITTEN CONSENT OF DONGGUAN TIANDU ELECTRONICS CO., LTD	DESCRIPTIONS OF REVISION		APPD.
WITHIN 1.5mm : ±0.1mm					
OVER 1.5mm : ±0.2mm					
TITLE : TACT SWITCH			UNIT : mm	DRWG NO.: CMTDDZ-T6-3040CS-00	
MODEL: T6-3040CS-XX-H 帶柱			SCALE: 3:1	DWN.	ERIC 2013-6-17
CMTDDZ 东莞市田都电子有限公司 DONGGUAN TIANDU ELECTRONICS CO.,LTD.				CHK'D	MAIKO 2013-6-17
				APPD.	Coco 2013-6-17