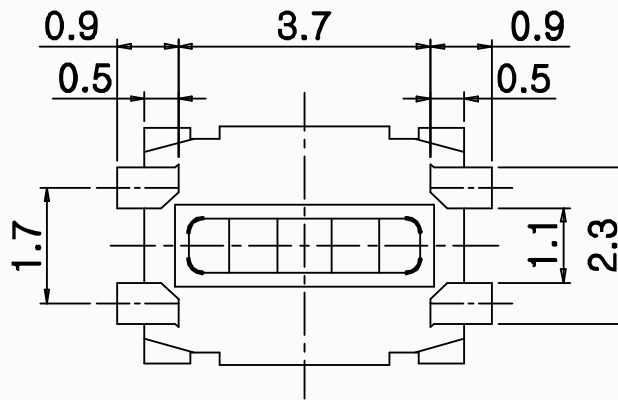
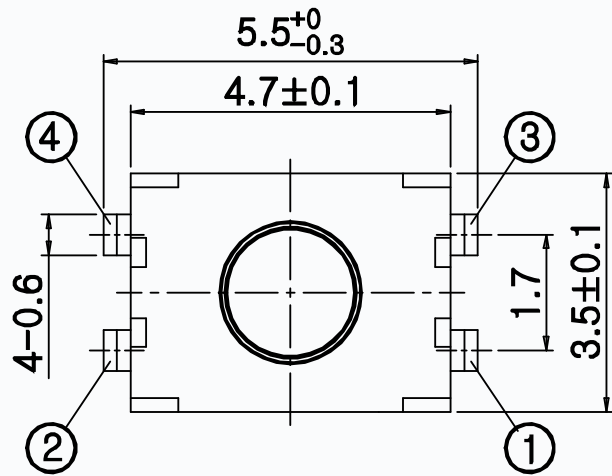
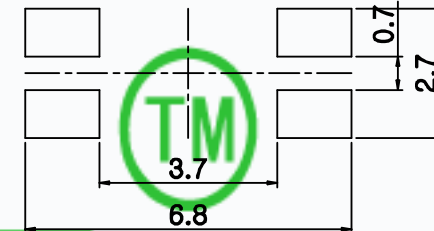
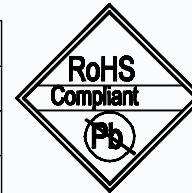


CAD FILE:

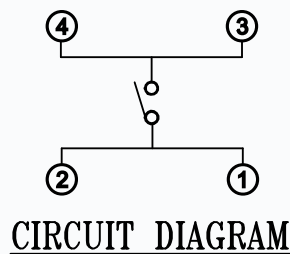
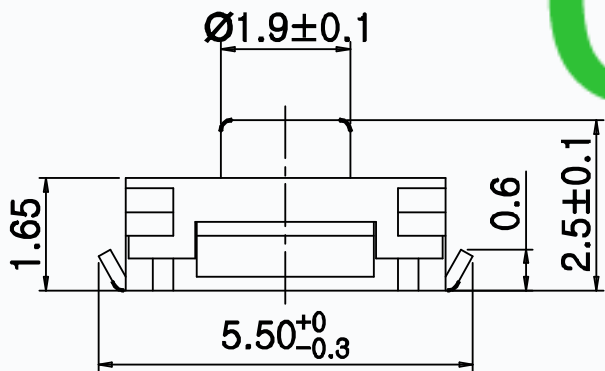


MODEL NO.	XX
T6-3547S-XX	16=160gf
	25=250gf



CMTDDZ

P.C.B. LAND PATTERN



SPECIFICATIONS

Rating	50mA 12V DC
Travel	0.2±0.1mm
Contact Resistance	≤ 100 mΩ
Operating temperature	-20℃ ~ 70℃(45% ~ 85% RH)
Operating Force	160±50gf/250±50gf
Operating Life	100,000 Cycles

NO.	PARTS	MATERIALS	Q'TY	FINISH
8				
7				
6				
5	COVER	SUS	1	PLATING NICKEL
4	KEYSTOKE	NYLON	1	BLACK
3	TERMINAL	PHOSPHOR BRONZE	4	PLATING SILVER
2	CONTACT	F.Ag/SUS	2	NATURAL
1	BASE	NYLON	1	BLACK

TOLERANCE UNLESS SPECIFIED WITHIN 1.5mm : ±0.1mm OVER 1.5mm : ±0.2mm	THESE DRAWINGS AND SPECIFICATIONS ARE THE PROPERTY OF DONGGUAN TIANDU ELECTRONICS CO.,LTD. AND SHALL NOT BE REPRODUCED, COPIED OR USED IN ANY MANNER WITHOUT THE PRIOR WRITTEN CONSENT OF DONGGUAN TIANDU ELECTRONICS CO., LTD	DESCRIPTIONS OF REVISION	APPD.
TITLE : TACT SWITCH		UNIT : mm	DRWG NO.: CMTDDZ-T6-3547S-00
MODEL: T6-3547S-XX		SCALE: 3:1	DWN. ERIC 2013-6-17
CMTDDZ 东莞市田都电子有限公司 DONGGUAN TIANDU ELECTRONICS CO.,LTD.		CHK'D	MAIKO 2013-6-17
		APPD.	Coco 2013-6-17